

FANS / POWER SUPPLIES / TRANSFORMERS



AC Adaptors233
Audio Transformers239, 240

Blowers

AC Flatpak™228
DC Flatpak™228

Converters, DC to DC230

Cord Set, AC93

DC to DC Converters230, 231

Fans and Accessories

AC Tubeaxial.....228, 229
DC Tubeaxial228, 229
Exhaust300
Filter Assemblies230
Guards.....230
Power Cords93, 229

Filters

Aluminum230
Plastic Assemblies230
Power Line243

Isolated DC-DC Converters230

Linear Power Supplies.....234

Modem Modules241

Power Cords93, 229

Power Line Filter243

Power Supplies

Autoranging232
Industrial232
Linear DC234
Switching231, 232
Tabletop233
Unregulated.....234

RFI Power Line Filters243

Switching Power Supplies .231, 232

Transformers

Auto236
Audio239, 240
Communication241
Coupling242
I-F240
Isolation236
Line Matching281
Modem241
Power235-238
Step-Up/Step-Down236

Transformers (cont.)

Telephone242
Trigger71
Variable238
Wall Plug-In233

Variable Transformers238

Manufacturers:

Agusta Fans93, 229
Amseco233
Atech241
Bud300
EBM Papst228
ETA-USA231
Fan-S93, 229, 230
Hi-Q Magnetic233, 238, 239, 242
International Power234
Magnetek235-237, 240, 242
Newport Technology230
Phihong232, 233
Primary Power Components243
Qualtek.....93, 229, 230, 243
Staco238

**Main
Menu**

**New
This Issue**

Products

Vendors

Service

**Spec
Sheets**

Help

Photo Cells, Flash Tubes, and Transformers

PHOTO CONDUCTIVE CELLS

Applications:

- Exposure meter
- Electronic shutter
- Color temperature reading
- Density reading
- Optical switch
- Photoelectric lamp

Specifications:

- Operating temperature: -30°C to +70°C
- Cadmium sulfide (CdS) construction
- Soldering: 230°C for 3 sec. (max.) at 3mm from cell
- High sensitivity, high stability

* Light resistance measured at 10 lux and 2856°K color temperature.
 * Dark resistance measured 10 seconds after removal of 100 lux illumination.

76C Series

For quantities greater than listed, call for quote.

MOUSER STOCK NO.	Fig.	Voltage (Max.)	Light * Resistance (Ω)	Dark ** Resistance (Ω)	Maximum Power @ 25°C	Peak Response Wavelength (nm)	Price Each		
							1	10	100
338-76C348	A	150	3K - 20K	500K	50mW	560	1.84	1.53	1.39
338-76C569	A	200	20K - 100K	20M	100mW	550	1.84	1.53	1.39
338-76C59	A	200	20K - 50K	20M	100mW	550	2.19	1.83	1.66

54C Series

MOUSER STOCK NO.	Fig.	Voltage (Max.)	Light * Resistance (Ω)	Dark ** Resistance (Ω)	Maximum Power @ 25°C	Peak Response Wavelength (nm)	Price Each		
							1	10	100
338-54C348	B	150	3K - 20K	500K	30mW	560	1.54	1.28	1.16
338-54C679	B	200	50K - 200K	20M	60mW	550	1.54	1.28	1.16
338-54C69	B	200	50K - 100K	20M	60mW	550	1.73	1.44	1.31
338-54C79	B	200	100K - 200K	20M	60mW	550	1.73	1.44	1.31

CDS PHOTO CELL

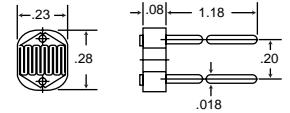
Applications:

- Light and lamp controls
- Automatic grain feeders
- Security lighting
- "Electric - Eyes"

Specifications:

- 12K Ω min. @ 1FV/CDL
- 250Ω @ 100FV/CDL
- Maximum power dissipation: 75mW

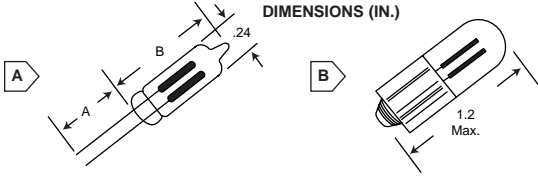
DIMENSIONS (IN.)



MOUSER STOCK NO.	Price Each		
	1	10	100
524-611-J4-805	3.15	2.84	

NEON LAMPS

- Neon lamps are used for indicators and circuit control applications
- Ideal for line-voltage AC and 90V and up DC applications



High Brightness

For quantities greater than listed, call for quote.

MOUSER STOCK NO.	Fig.	Type	Breakdown Voltage (Max.) AC/DC	Nominal		Dimensions (In.)		Price Each		
				Current (mA)	Watts (W)	A	B	1	10	100
36NE004	A	A1C	95/135	1.2	1/7	1.18	.47	.28	.22	.18
36NE005	A	NE-2H	95/135	1.2	1/7	1.18	.63	.29	.25	.20

Standard

For quantities greater than listed, call for quote.

MOUSER STOCK NO.	Fig.	Type	Breakdown Voltage (Max.) AC/DC	Nominal Current (mA)	Nominal Watts (W)	Dimensions (In.) A	Dimensions (In.) B	Price Each		
								1	10	100
36NE006	A	A1B	65/90	.3	1/25	1.18	.47	.23	.18	.15
36NE007	A	NE-2E	65/90	.3	1/25	1.18	.63	.24	.20	.16
36NE002	A	NE-2	65/90	.5	1/25	1.18	.68	.23	.18	.15
36NE003	A	NE2B	65/90	.5	1/25	1.18	.47	.23	.18	.15
36NE051	B	NE-51	45/85	.3	1/25	---	---	2.31	1.93	1.75

ULTRA-MINIATURE 110 VAC NEON INDICATOR

Hi-Rel

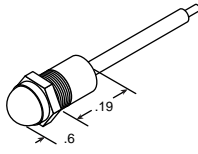
- Panel mount neon indicators, chrome-plated body, bezel, and facing nut
- Rated 55-60 volts; 100K resistor required
- Mounting hole: .27 inches • Lead length: 5 inches • Color: Clear

For quantities greater than listed, call for quote.

MOUSER STOCK NO.	Price Each		
	1	10	100
35MP100	3.19	2.66	2.42

DIMENSIONS (IN.)

(Resistor not included)

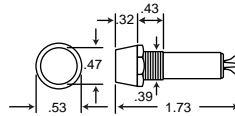


110 VAC NEON INDICATOR

- Sealed plastic neon indicator with internal dropping resistor
- Chrome-plated facing nut

For quantities greater than listed, call for quote.

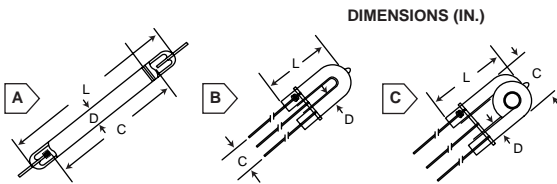
DIMENSIONS (IN.)



MOUSER STOCK NO.	Lens Color	Price Each		
		1	10	100
36HN010	Red	2.14	1.78	1.62
36HN012	Amber	2.14	1.78	1.62
361-7671	Red	1.71	1.42	1.30
361-7672	Amber	1.71	1.42	1.30
361-7673	Green	1.71	1.42	1.30

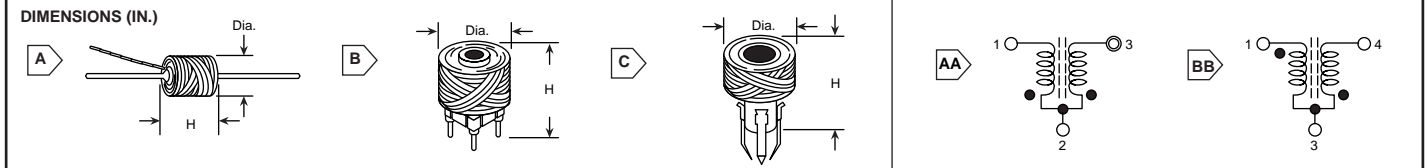
FLASH TUBES

For quantities greater than listed, call for quote.



MOUSER STOCK NO.	Fig.	Type	Dimensions (In.)			Nominal Anode Voltage	Min. Trigger Voltage	Flash Energy (WS)	Life Flashes	Price Each		
			L	D	C					1	10	100
36FT050	A	FT-4050	1.97	.16	1.38	360	4KV	60	3,000	3.50	2.90	2.65
36FT106	B	FT6531	1.50	.24	.53	300	6KV	60	10,000	3.70	3.10	2.80
361-4425	B	U-4425	1.26	.24	.39	300	4KV	4	1,000,000	5.85	5.32	4.84
361-8538	B	U-8538	1.77	.31	.67	400	6KV	100	10,000	6.92	6.29	5.72
361-0118	C	FT-118	1.77	.24	1.02	450	6KV	125	10,000	12.25	11.13	10.12
361-0218	C	FT-218	2.16	.31	1.30	450	6KV	250	10,000	15.17	13.79	12.54

H/V TRIGGER TRANSFORMERS



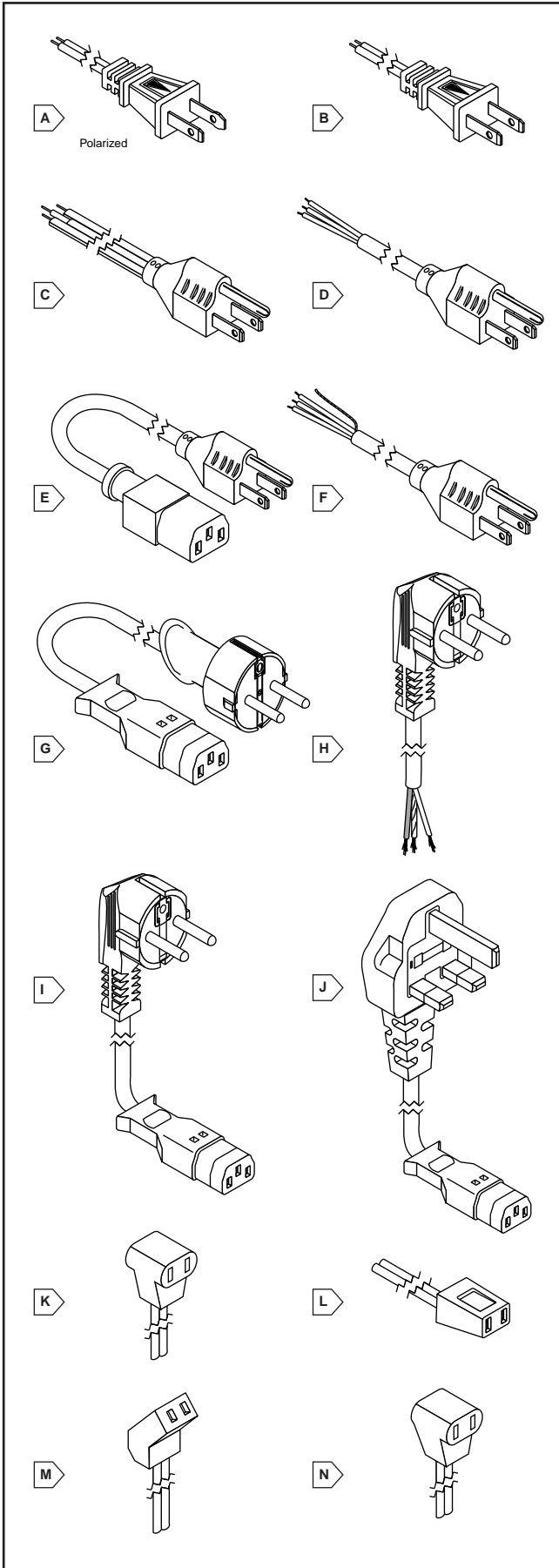
• See capacitor section of this catalog for related products For quantities greater than listed, call for quote.

MOUSER STOCK NO.	Fig.	Schematic	Volts		Dimensions (In.)		Price Each			
			Input	Output	Height	Dia.	1	10	100	500
422-1304	A	AA	300	4000	.60	.35	2.06	1.75	1.58	1.44
422-2304	B	BB	300	4000	.63	.50	2.79	2.45	2.23	2.02

• See capacitor section of this catalog for related products For quantities greater than listed, call for quote.

MOUSER STOCK NO.	Fig.	Schematic	Volts		Dimensions (In.)		Price Each			
			Input	Output	Height	Dia.	1	10	100	500
422-3306	C	BB	300	6000	.75	.60	2.79	2.45	2.23	2.02
422-2310	B	BB	300	10000	.75	.85	2.87	2.51	2.27	2.08

AC Power Cords



POWER SUPPLY CORDS

Both two and three conductor types are offered in 6', 7 1/2', and 8' lengths with molded, low profile, crush resistant, NEMA 1-15P or 5-15P plugs. 18 AWG types are rated 125V, 1250 watts. 16 AWG type is rated 125V, 1625 watts. 14 AWG type is rated 125V, 1875 watts. All are UL listed and CSA certified.

Specifications:

• Temperature:	60°C
• Rated:	AWG 18 16 14
	Volts 125 125 125
	Amps 10 13 15
	Watts 1250 1625 1875

Features:

- Economical and efficient
- Mechanical performance meets OEM requirements
- Excellent resistance to abrasion and blade wear requirements



UL listed CSA certified

Two Conductor Types

NEMA 1-15P Plug

MOUSER STOCK NO.	Fig.	Replaces Belden#	Size	Type	Rating @ 125V (A)	Length	Color	Price Each			
								1	10	100	500
173-11112	A	----	18/2	SPT-1	10	6'	Black	.88	.83	.78	.74
173-11102	B	----	18/2	SPT-1	10	6'	Black	.88	.83	.78	.74
173-11123	B	----	18/2	SPT-1	10	6'	Brown	.88	.83	.78	.75
173-31102	B	----	18/2	SPT-2	10	6'	Black	1.17	1.11	1.05	.99

Three Conductor Types

NEMA 5-15P Plug

MOUSER STOCK NO.	Fig.	Replaces Belden#	Size	Type	Rating @ 125V (A)	Length	Color	Price Each			
								1	10	100	1,46
173-33121	C	----	18/3	SPT-2	10	6'	Gray	2.15	1.78	1.62	1.46
173-33101	C	----	18/3	SPT-2	10	6'	Black	2.15	1.78	1.62	1.46
173-53101	D	17237	18/3	SVT	10	6'	Black	2.80	2.33	2.12	1.90
173-53102	D	17239	18/3	SVT	10	8'	Black	3.37	2.80	2.54	2.29
173-53121	D	176237	18/3	SVT	10	6'	Gray	2.80	2.33	2.12	1.90
173-73101	D	17405	18/3	SJT	10	6'	Black	2.88	2.39	2.17	1.96
173-73102	D	17407	18/3	SJT	10	8'	Black	3.59	2.98	2.71	2.44
173-75102	D	----	16/3	SJT	13	8'	Black	3.39	2.82	2.56	2.30
173-78101	D	----	14/3	SJT	15	6'	Black	4.33	3.59	3.27	2.94

Three Conductor Detachable AC Cord Set

NEMA 5-15P Plug

MOUSER STOCK NO.	Fig.	Replaces Belden#	AWG	UL Type	Voltage Rating	Length	Color	Price Each			
								1	10	100	2,70
173-63101	E	17250	18/3	SVT	10	7'6"	Black	3.98	3.34	2.99	2.70
173-63102	E	----	18/3	SVT	10	8'	Black	4.16	3.45	3.14	2.82
173-63121	E	17250	18/3	SVT	10	7'6"	Gray	3.98	3.34	2.99	2.70

Three Conductor Shielded Power Cords

Control the error-generating effects of ambient electrical interference.

Features:

- Low profile molded plug
- 100% foil shield
- Drain wire terminated to ground pin of plug
- Color code: CEE
- High stranding for extended flexibility



NEMA 5-15P Plug

MOUSER STOCK NO.	Fig.	Replaces Belden#	AWG	UL Type	Voltage Rating	Length	Color	Price Each			
								1	10	100	2,51
173-53100	F	17740	18 41/34	SVT	300V	6'7"	Black	3.70	3.08	2.80	2.51

INTERNATIONAL POWER CORDS

Continental Europe

Conductors: 3 x 1.00(mm²)

MOUSER STOCK NO.	Fig.	Replaces Belden#	Cord Type	Rating @ 250V (A)	Length (Meters)	Color	Price Each			
							1	10	100	500
562-364002	G	17811	HO5VV-F	10	2.5	Black	5.00	4.50	4.10	3.76
562-366003	H	17811	HO5VV-F	10	2.5	Black	4.24	3.82	3.48	3.16
562-367001	I	----	HO5VV-F	10	2.5	Black	6.21	5.60	5.10	4.64

United Kingdom

Conductors: 3 x 1.00(mm²)

MOUSER STOCK NO.	Fig.	Replaces Belden#	Cord Type	Rating @ 250V (A)	Length (Meters)	Color	Price Each			
							1	10	100	500
562-370001	J	17965	HO5VV-F	10	2.5	Black	11.30	10.23	9.30	8.22

FAN POWER CORD

Designed for use with the Agusta 4.69" AC Tubeaxial fans. Can be used with all AC fans using .110" x .020" faston terminals with .3125" spacing. Temperature rating: 105°C (max).



E56356 LL38816

MOUSER STOCK NO.	Fig.	AWG	Cord Type	Termination	Length	Price Each			
						1	10	25	50
432-6101	K	18	SPT-1	T-type	2'	1.78	1.57	1.43	1.30



FAN POWER CORDS

High quality fan power cords designed to be used with Tubeaxial fans. Strain relief is incorporated for added safety.

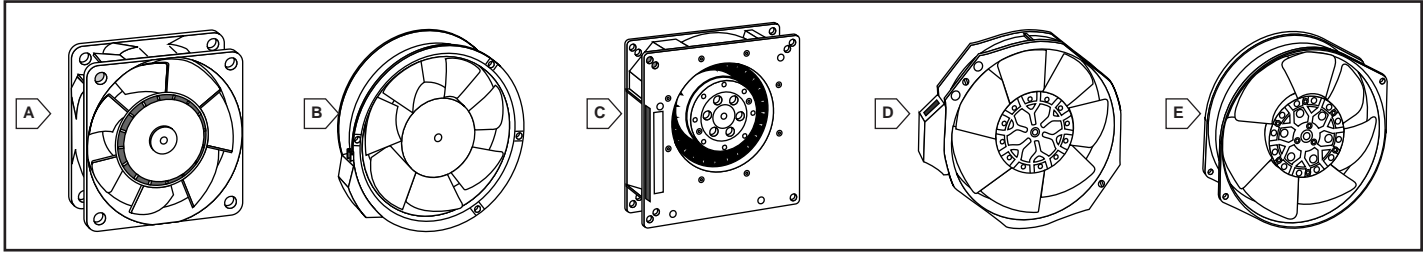
Specifications:

- Temperature range: 105°C
- UL rated 10A / 125VAC
- CSA rated 7A / 125VAC



E118750 LR5884-5M

MOUSER STOCK NO.	Fig.	Style	Cord Type	Voltage Rating	Length	Color	Price Each			
							1	10	25	50
562-07100-24	L	Straight	SPT-1	300V	2'	Black	1.36	1.26	1.18	1.10
562-07145-24	M	45°	SPT-1	300V	2'	Black	1.36	1.26	1.18	1.10
562-07190-24	N	90°	SPT-1	300V	2'	Black	1.36	1.26	1.18	1.10
562-07199-24	K	T-Plug	SPT-1	300V	2'	Black	1.36	1.26	1.18	1.10



DC TUBEAXIAL FANS



60 x 25mm (2.4" x 1.0"), Ball Bearing, Plastic, Air Exhaust – Over Struts

For quantities greater than listed, call for quote.

MOUSER STOCK NO.	Mfg. Type	Fig.	DC Volts	Watts	CFM @ 0"	Noise dBA	Termination	Price Each	
								1	10
5912-612L	612L	A	12	0.7	12	26	Leads	25.20	22.65
5912-612M	612M	A	12	1.2	23	33	Leads	25.20	22.65
5912-612	612	A	12	2.4	23	40	Leads	25.20	22.65
5912-614	614	A	24	2.7	24	40	Leads	25.20	22.65

80 x 25mm (3.2" x 1.0"), Ball Bearing, Plastic, Air Exhaust – Over Struts

5912-8412L	8412L	A	12	0.8	21	21	Leads	18.40	16.58
5912-8412M	8412M	A	12	1.4	27	29	Leads	18.40	16.58
5912-8412	8412	A	12	2.4	33	35	Leads	18.40	16.58
5912-8414	8414	A	24	2.4	33	35	Leads	18.40	16.58

80 x 32mm (3.2" x 1.3"), Ball Bearing, Plastic, Air Exhaust – Over Struts

5912-8312L	8312L	A	12	1.0	19	24	Leads	24.90	22.43
5912-8312M	8312M	A	12	1.8	28	34	Leads	24.90	22.43
5912-8312	8312	A	12	2.2	32	36	Leads	24.90	22.43
5912-8314	8314	A	24	2.5	32	36	Leads	24.90	22.43

80 x 38mm (3.2" x 1.5"), Sleeve Bearing, All Metal, Air Exhaust – Over Struts

5912-8112G	8112G	A	12	3	35	38	Leads	47.10	42.38
5912-8124G	8124G	A	24	3	35	38	Leads	47.10	42.38

80 x 38mm (3.2" x 1.5"), Ball Bearing, All Metal, Air Exhaust – Over Struts

5912-8112K	8112K	A	12	3	35	39	Leads	51.05	45.00
5912-8124K	8124K	A	24	3	35	39	Leads	51.05	45.00

92 x 25mm (3.6" x 1.0"), Ball Bearing, Plastic, Air Exhaust – Over Struts

5912-3412L	3412L	A	12	1.3	36	27	Leads	19.30	17.40
5912-3412M	3412M	A	12	1.8	42	32	Leads	19.30	17.40
5912-3412	3412	A	12	2.4	49	36	Leads	19.30	17.40
5912-3414	3414	A	24	2.6	49	36	Leads	19.30	17.40

92 x 32mm (3.6" x 1.3"), Ball Bearing, Plastic, Air Exhaust – Over Struts

5912-3312L	3312L	A	12	1.4	33	29	Leads	25.25	22.73
5912-3312M	3312M	A	12	1.7	40	34	Leads	25.25	22.73
5912-3312	3312	A	12	2.4	47	37	Leads	25.25	22.73
5912-3314	3314	A	24	2.4	47	37	Leads	25.25	22.73

119 x 32mm (4.7" x 1.3"), Ball Bearing, Plastic, Air Exhaust – Over Struts

5912-4312L	4312L	A	12	1.2	56	30	Leads	28.25	25.43
5912-4312M	4312M	A	12	2.6	82	39	Leads	28.25	25.43
5912-4312	4312	A	12	5.0	100	45	Leads	28.25	25.43
5912-4314	4314	A	24	5.0	100	45	Leads	28.25	25.43

119 x 38mm (4.7" x 1.5"), Sleeve Bearing, Air Intake – Over Struts

Metal housing, plastic impeller

5912-4182NGX	4182NGX	A	12	3.5	94	29	Terminals	40.20	36.15
5912-4184NGX	4184NGX	A	24	3.5	94	38	Terminals	40.20	36.15

119 x 38mm (4.7" x 1.5"), Ball Bearing, Air Intake – Over Struts

Metal housing, plastic fan

5912-4182NX	4182NX	A	12	4.5	106	38	Terminals	45.10	40.58
5912-4184NX	4184NX	A	24	4.5	106	45	Terminals	45.10	40.58

172 x 51mm (6.8" x 2.0"), Ball Bearing, Air Exhaust – Over Struts

Metal housing, plastic fan

5912-6212NM	6212NM	B	12	12	206	50	Terminals	110.15	99.15
5912-6224NM	6224NM	B	24	12	206	50	Terminals	85.75	77.18
5912-6224N	6224N	B	24	18	241	55	Terminals	85.75	77.18
5912-6248NM	6248NM	B	48	12	206	50	Terminals	85.75	77.18
5912-6248N	6248N	B	48	18	241	55	Terminals	85.75	77.18

DC FLATPAK™ BLOWERS

135 x 135 x 38mm (5.3" x 5.3" x 1.5"), Ball Bearing

Shallow, compact radial blowers; air enters through center of impeller and exhausts through port in housing.

5912-901812N	RL90-18/12N	C	12	5.0	24	58	Leads	55.35	49.80
5912-901814N	RL90-18/14N	C	24	5.0	24	58	Leads	55.35	49.80

AC TUBEAXIAL FANS



80 x 38mm (3.2" x 1.5"), Sleeve Bearing, All Metal, Air Exhaust – Over Struts

* 5 Year Warranty

For quantities greater than listed, call for quote.

MOUSER STOCK NO.	Mfg. Type	Fig.	AC Volts	Watts	CFM @ 0"	Noise dBA	Termination	Price Each	
								1	10
5912-8800N	8800N	A	115	11	28	28	Leads	26.70	24.00
5912-8500N	8500N	A	115	11	36	34	Leads	23.60	21.23
* 5912-8500DP	8500DP	A	115	11	36	34	Leads	31.05	27.98
5912-8550N	8550N	A	230	11	36	34	Leads	25.65	23.10

80 x 38mm (3.2" x 1.5"), Ball Bearing, All Metal, Air Exhaust – Over Struts

5912-8506N	8506N	A	115	11	36	35	Leads	37.50	33.75
5912-8556N	8556N	A	230	11	36	35	Leads	39.55	35.63

92 x 25mm (3.6" x 1.0"), Ball Bearing, Air Exhaust – Over Struts

Metal housing, plastic impeller.

5912-3906L	3906L	A	115	5	23	27	Terminals	38.15	34.35
5912-3906	3906	A	115	9	41	40	Terminals	35.70	32.10
5912-3956	3956	A	230	9	41	40	Terminals	37.60	33.83

119 x 25mm (4.7" x 1.0"), Ball Bearing, Air Exhaust – Over Struts

Metal housing, plastic impeller.

5912-9906L	9906L	A	115	8	59	35	Terminals	36.85	33.15
5912-9956L	9956L	A	230	8	59	35	Terminals	38.75	34.88
5912-9906	9906	A	115	12	79	42	Terminals	34.40	30.98
5912-9956	9956	A	230	12	79	42	Terminals	36.30	32.70

119 x 38mm (4.7" x 1.5"), Sleeve Bearing, All Metal, Mounting Bosses

Air intake - over struts

5912-4800AX	4800AX	A	115	9	57	32	Terminals	28.10	25.28
5912-4850AX	4850AX	A	230	9	57	32	Terminals	31.45	28.28
5912-4500AX	4500AX	A	115	15	100	48	Terminals	27.45	24.68
5912-4550AX	4550AX	A	230	15	100	48	Terminals	30.80	27.75

119 x 38mm (4.7" x 1.5"), Sleeve Bearing, All Metal, Air Intake – Over Struts

* 5 Year Warranty "N" version mounting hole size: .169" (4.3mm) "X" version mounting hole size: .146" (3.7mm)

5912-4800N	4800N	A	115	9	57	32	Terminals	28.10	25.28
5912-4840N	4840N	A	115	10	50	26	Terminals	28.10	25.28
5912-4530N	4530N	A	115	16	89	45	Terminals	27.60	24.83
5912-4500N	4500N	A	115	15	100	48	Terminals	27.45	24.68
5912-4600N	4600N	A	115	18	106	50	Terminals	22.85	20.55
5912-4600X	4600X	A	115	18	106	50	Terminals	22.85	20.55
* 5912-4600XP	4600XP	A	115	18	106	50	Terminals	30.40	27.38
5912-4650N	4650N	A	230	18	106	50	Terminals	26.20	23.55
5912-4650X	4650X	A	230	18	106	50	Terminals	26.20	23.55

119 x 38mm (4.7" x 1.5"), Ball Bearing, All Metal, Air Intake – Over Struts

"N" version mounting hole size: .169" (4.3mm) "X" version mounting hole size: .146" (3.7mm)

5912-4606N	4606N	A	115	18	106	51	Terminals	36.35	32.70
5912-4606X	4606X	A	115	18	106	51	Terminals	36.35	32.70
5912-4656N	4656N	A	230	18	106	51	Terminals	39.70	35.70
5912-4656X	4656X	A	230	18	106	51	Terminals	39.70	35.70
5912-4658N	4658N	A	230	18	106	48	Terminals	39.70	35.70
5912-4660N	4660N	A	115/230	18	106	51	Leads	34.30	30.90

127 x 38mm (5.0" x 1.5"), Ball Bearing, Metal Housing, Plastic Impeller

Air exhaust - over struts

5912-11501	W2K121-AA15-01	A	115	17	121	47	Leads	46.45	42.23
5912-10101	W2K121-AA01-01	A	230	17	121	47	Leads	46.45	42.23

150 x 172mm (5.9" x 6.8"), Ball Bearing, All Metal, Air Exhaust – Over Struts

5912-30501	W2E142-BB05-01	D	115	26	236	62	Terminals	72.99	66.38
5912-30101	W2E142-BB01-01	D	230	26	236	62	Terminals	72.99	66.38

150 x 55mm (5.91" x 2.17"), Ball Bearing, All Metal, Air Exhaust – Over Struts

5912-22501	W2S130-AA25-01	E	115	42	233	52	Leads	53.79	48.90
5912-20301	W2S130-AA03-01	E	230	42	233	52	Leads	53.79	48.90

AC FLATPAK™ BLOWERS

135 x 135 x 38mm (5.3" x 5.3" x 1.5"), Sleeve Bearing

Shallow, compact radial blowers; air enters through center of impeller and exhausts through port in housing.

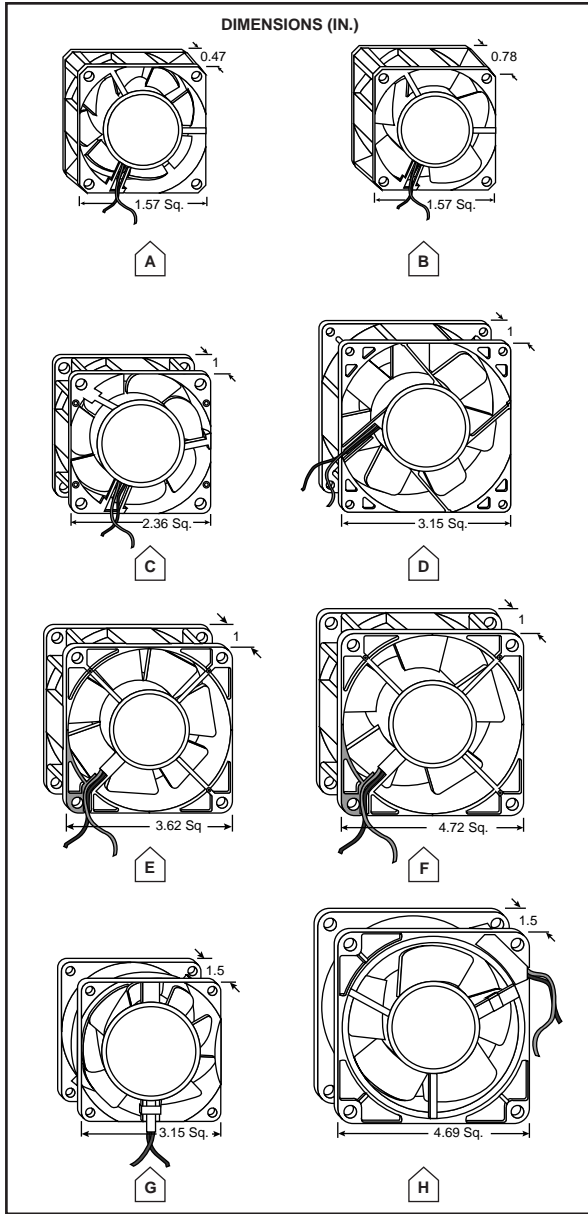
5912-901800	RL90-18/00	C	115	20	25	60	Leads	52.20	46.95
5912-901850	RL90-18/50	C	230	20	25	60	Leads	54.50	49.05

Cooling Fans and Accessories



TUBEAXIAL FANS

Design these quietly operating fans into computer systems, power supplies, and other equipment requiring additional air flow for heat removal.



DC Brushless 1.57" x 1.57" x 0.47" (40 x 40 x 12mm)

- 12VDC operations
- UL 94V-0 durable plastic housing and impellers
- 12 inch leads



E94964(S)

MOUSER STOCK NO.	Fig.	Volts (DC)	Bearing	Current (mA)	Power (W)	Air Flow (CFM)	Noise (dBA)	Price Each			
								1	10	25	50
432-32214	A	12	Sleeve	60	.72	4.0	25	7.99	7.26	6.60	6.00
432-31214	A	12	Ball	60	.72	4.0	25	12.15	11.04	10.04	9.13

DC Brushless 1.57" x 1.57" x 0.78" (40 x 40 x 20mm)

432-32224	B	12	Sleeve	.10	1.20	5.4	27	7.99	7.26	6.60	6.00
432-31224	B	12	Ball	.10	1.20	5.4	27	12.15	11.04	10.04	9.13
432-32226	B	12	Sleeve	.16	1.92	7.56	33	7.99	7.26	6.60	6.00
432-31226	B	12	Ball	.16	1.92	7.56	33	12.15	11.04	10.04	9.13

DC Brushless 2.36" x 2.36" x 1" (60 x 60 x 25mm)

- 12 and 24 VDC operation
- 12" leads
- UL 94V-0 durable plastic housing and impellers



E94964(S)

432-31432	C	12	Ball	130	1.5	8.8	24	12.15	11.04	10.04	9.13
432-31434	C	12	Ball	160	1.9	12	30	12.15	11.04	10.04	9.13
432-31436	C	12	Ball	200	2.4	14.8	35	12.15	11.04	10.04	9.13
432-51432	C	24	Ball	100	2.4	8.8	24	12.15	11.04	10.04	9.13
432-51434	C	24	Ball	130	3.1	12	30	12.15	11.04	10.04	9.13
432-51436	C	24	Ball	160	3.8	14.8	39	12.15	11.04	10.04	9.13

DC Brushless 3.15" x 3.15" x 1" (80 x 80 x 25mm)

432-31532	D	12	Ball	120	1.4	19.4	23	11.98	10.89	9.90	9.00
432-31534	D	12	Ball	160	1.9	26.5	27	11.98	10.89	9.90	9.00
432-32534	D	12	Sleeve	160	1.9	26.5	27	8.65	7.87	7.15	6.50
432-31536	D	12	Ball	200	2.4	31.8	31	11.98	10.89	9.90	9.00
432-51532	D	24	Ball	90	2.1	19.4	23	11.98	10.89	9.90	9.00
432-51534	D	24	Ball	110	2.6	26.5	27	11.98	10.89	9.90	9.00
432-51536	D	24	Ball	130	3.1	31.8	31	11.98	10.89	9.90	9.00

DC Brushless 3.62" x 3.62" x 1" (92 x 92 x 25mm)

432-31632	E	12	Ball	160	1.9	24.7	25	12.44	11.31	10.29	9.35
432-31634	E	12	Ball	250	3.0	31.8	31	12.44	11.31	10.29	9.35
432-31636	E	12	Ball	320	3.8	42.4	38	12.44	11.31	10.29	9.35
432-51632	E	24	Ball	100	2.4	24.7	25	12.44	11.31	10.29	9.35
432-51634	E	24	Ball	140	3.3	31.8	31	12.44	11.31	10.29	9.35
432-51636	E	24	Ball	180	4.3	42.4	38	12.44	11.31	10.29	9.35

DC Brushless 4.72" x 4.72" x 1" (120 x 120 x 25mm)

432-31832	F	12	Ball	200	2.4	53	39	15.97	14.52	13.20	12.00
432-31834	F	12	Ball	420	5.0	63.9	43	15.97	14.52	13.20	12.00
432-31836	F	12	Ball	550	6.6	77.7	47	15.97	14.52	13.20	12.00
432-51832	F	24	Ball	130	3.1	53	39	15.97	14.52	13.20	12.00
432-51834	F	24	Ball	210	5.0	63.6	43	15.97	14.52	13.20	12.00
432-51836	F	24	Ball	300	7.2	77.7	47	15.97	14.52	13.20	12.00

AC Tubeaxial 3.15" x 3.15" x 1.5" (80 x 80 x 38mm)

- 115VAC 60Hz operation
- 12" leads
- Rugged, all metal, die-cast, aluminum housings and steel impellers
- Shaded-pole, impedance protected motors



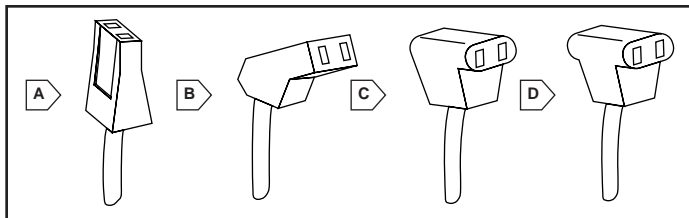
432-81558	G	115	Ball	130	10	32	38	23.63	21.48	19.53	17.75
432-82558	G	115	Sleeve	130	10	32	38	19.30	17.55	15.95	14.50
432-81556	G	115	Ball	120	10	29	37	23.63	21.48	19.53	17.75
432-81554	G	115	Ball	120	9	26	31	23.63	21.48	19.53	17.75
432-81552	G	115	Ball	110	9	21	26	23.63	21.48	19.53	17.75
432-82552	G	115	Sleeve	110	9	21	26	19.30	17.55	15.95	14.50

AC Tubeaxial 4.69" x 4.69" x 1.5" (119 x 119 x 38mm)

12" Leads											
432-81858	H	115	Ball	240	22	105	50	24.12	21.93	19.94	18.13
432-82858	H	115	Sleeve	240	22	105	50	20.30	18.45	16.78	15.25
432-81862	H	115	Ball	200	19	55	35	24.12	21.93	19.94	18.13
432-81864	H	115	Ball	220	20	65	38	24.12	21.93	19.94	18.13
432-81866	H	115	Ball	230	21	78	42	24.12	21.93	19.94	18.13
Faston Terminals											
432-81856	H	115	Ball	230	21	78	42	24.12	21.93	19.94	18.13
432-81854	H	115	Ball	220	20	65	38	24.12	21.93	19.94	18.13
432-81852	H	115	Ball	200	19	55	35	24.12	21.93	19.94	18.13
432-82852	H	115	Sleeve	200	19	55	35	20.30	18.45	16.78	15.25



FAN POWER CORDS



Features:

- Strain relief is incorporated for added safety
- UL Rated 10A/125VAC
- CSA Rated 7A/125VAC

Specifications:

- Cord type: SPT-1 (2) conductor black
- Cord length: 24"
- Voltage rating: 300V
- Temperature range: 105°C

High quality fan power cords designed to be used with tubeaxial fans.



E118750



LR58844-5M

MOUSER STOCK NO.	Fig.	Style	Price Each			
			1	10	25	50
562-07100-24	A	Straight	1.36	1.26	1.18	Call For Quote
562-07145-24	B	45 degree	1.36	1.26	1.18	
562-07190-24	C	90 degree	1.36	1.26	1.18	
562-07199-24	D	T-plug	1.36	1.26	1.18	

AC FAN POWER CORD

Designed for use with the Augusta 4.69" AC tubeaxial fans. Can be used with all AC fans using .110" x .020" Faston terminals with .3125" spacing. In 24" length with convenient T-type mounting receptacle.

Specifications:

- Length: 24"
- Wire size: 18 AWG
- Termination: T-type
- Cord type: SPT 1
- Tab size: fits .110" x .020" fastons with .3125" tab spacing
- Temperature rating: 105°C (max.)



E56356



LL38816

MOUSER STOCK NO.	Length (In.)	AWG	Termination	Price Each			
				1	10	25	50
432-6101	24	18	T-type	1.78	1.57	1.43	Call

Fan Accessories and Isolated DC-DC Converters



PLASTIC FAN FILTER ASSEMBLIES

Retainer:

- UL Listed 94V-0 material
- Designed for minimal air restriction

Media:

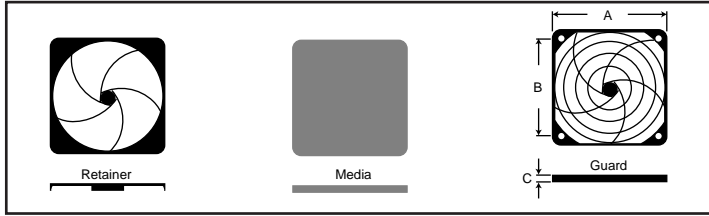
- Helps reduce external fan noise
- Easily cleaned by vacuuming or washing with most soaps, detergents or cleaning solvents

Guard:

- UL Listed 94V-0 material
- Decreased noise level due to design
- Withstands high impact

Fan:

- Customer supplied



2.36" (60mm)

MOUSER STOCK NO.	Description	Dimensions (In.)			Price Each		
		A	B	C	1	10	25
562-0925045	Guard, retainer, media	2.36	1.97	.25	4.03	3.02	2.77
562-09250M45	45 PPI filter media, 5 pack	---	---	---	1.80	1.52	1.43
562-09250G	Plastic guard only	2.36	1.97	.25	1.13	.99	.92

3.15" (80mm)

562-0932545	Guard, retainer, media	3.29	2.81	.393	3.36	2.52	2.32
562-09325M45	45 PPI filter media, 5 pack	---	---	---	1.86	1.60	1.50
562-09325G	Plastic guard only	3.15	2.81	.257	1.13	.99	.92

3.62" (92mm)

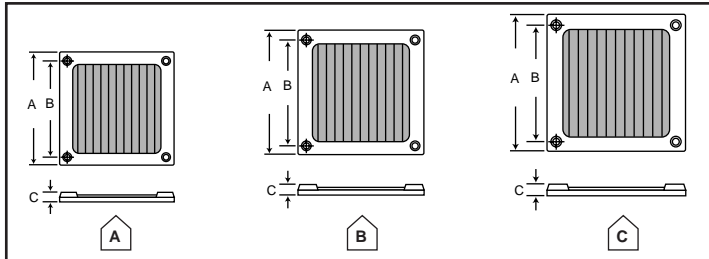
562-0936245	Guard, retainer, media	3.80	3.25	.393	3.54	2.66	2.45
562-09362M45	45 PPI filter media, 5 pack	---	---	---	2.31	2.05	1.79
562-09362G	Plastic guard only	3.62	3.25	.25	1.43	1.24	1.08

4.72" (120mm) 4.69" (119mm)

562-0945045	Guard, retainer, media	4.87	4.13	.420	4.20	3.15	2.90
562-09450M45	45 PPI filter media, 5 pack	---	---	---	3.18	2.52	2.09
562-09450G	Plastic guard only	4.65	4.13	.279	2.07	1.65	1.34



ALUMINUM FAN FILTERS



3.15" (80mm)

MOUSER STOCK NO.	Fig.	Description	Dimensions (In.)			Price Each		
			A	B	C	1	10	25
562-06325M	A	Filter, mill 3 1/8"	3.30	2.810	.175	3.81	3.05	2.62
562-06325B	A	Filter, black 3 1/8"	3.30	2.810	.175	4.59	3.67	3.15
562-06325C	A	Filter, clear 3 1/8"	3.30	2.810	.175	4.59	3.67	3.15

3.62" (92mm)

562-06362M	B	Filter, mill 3 5/8"	3.62	3.245	.175	4.12	3.30	2.83
562-06362B	B	Filter, black 3 5/8"	3.62	3.245	.175	4.60	3.68	3.50
562-06362C	B	Filter, clear 3 5/8"	3.62	3.245	.175	4.60	3.68	3.50

4.72" (120mm) 4.69" (119mm)

562-06450M	C	Filter, mill 4 1/2"	4.68	4.125	.175	4.70	3.76	3.24
562-06450B	C	Filter, black 4 1/2"	4.68	4.125	.175	5.67	4.54	3.91
562-06450C	C	Filter, clear 4 1/2"	4.68	4.125	.175	5.67	4.54	3.91

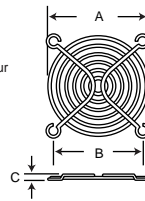


WIRE FORM FAN GUARDS

For use with our tubaxial fans. 1/4" maximum ring spacing design was developed to assist our customers in complying with domestic and international safety agency requirements.

Specifications:

- C1010 basic wire
- Weld joints withstand 220 lb. minimum separation force
- Over wire dia. @ butt joints: .010 max.
- Depth of serrations on wire: .015 max.
- Thickness of nickel chrome: .0005 min.
- Tolerance: -.XX ± .03" .XXX ± .015



MOUSER STOCK NO.	For Use with Fan Size		Dimensions (In.)			Price Each			Call For Quote
	(In.)	(mm)	A	B	C	1	10	50	
562-08149	1.58	40	1.15	1.26	.189	1.80	1.30	1.17	Call For Quote
562-08147	2.36	60	2.09	1.97	.20	1.94	1.46	1.34	
562-08172	3.15	80	3.00	2.81	.20	1.89	1.42	1.31	
562-08174	3.62	92	3.52	3.25	.20	1.97	1.48	1.36	
562-08170	4.72 / 4.69	120 / 119	4.55	4.125	.22	2.36	1.77	1.63	

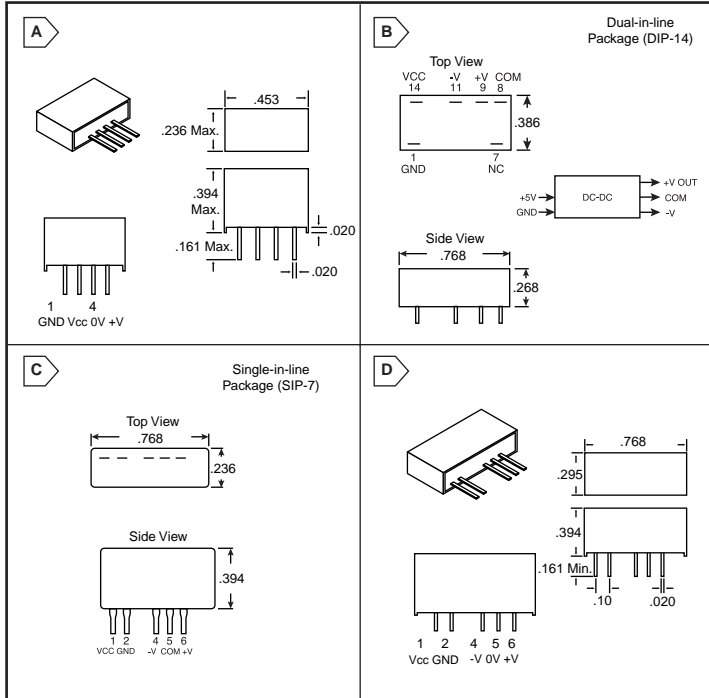


ISOLATED DC-DC CONVERTERS

Specifications:

- Input/output isolation: 1000VDC
- Input voltage range: ±10%

DIMENSIONS (IN.)



1W Single Output NME Series

Specifications:

- Input reflected noise: 90mV p-p max.
- Output ripple and noise: 150mV p-p max.
- Efficiency at full load: 5V output type: 70% typical 65% min. 12V and 15V output type: 75% typical 70% min.

MOUSER STOCK NO.	Fig.	Input Volts	Output Volts	Io (mA)	Price Each			Call For Quote
					1	25	50	
580-NME0505S	A	5	5	200	17.81	15.14	13.16	Call For Quote
580-NME0512S	A	5	12	84	17.81	15.14	13.16	
580-NME0515S	A	5	15	67	17.81	15.14	13.16	
580-NME1205S	A	12	5	200	17.81	15.14	13.16	
580-NME1212S	A	12	12	84	17.81	15.14	13.16	
580-NME1215S	A	12	15	67	17.81	15.14	13.16	

1W Dual Output NMA Series

Specifications:

- Input reflected noise: 80mV p-p max.
- Output ripple and noise: 75mV p-p max.
- Efficiency at full load: 5V output type: 70% typical 65% min. 12V and 15V output type: 80% typical 70% min.

MOUSER STOCK NO.	Fig.	Input Volts	Output Volts	Io (mA)	Price Each			
					1	25	50	100
580-NMA0505D	B	5	±5	100	21.41	19.47	17.70	Call For Quote
580-NMA0512D	B	5	±12	42	21.41	19.47	17.70	
580-NMA0515D	B	5	±15	34	21.41	19.47	17.70	
580-NMA0505S	C	5	±5	100	21.41	19.47	17.70	
580-NMA0512S	C	5	±12	42	21.41	19.47	17.70	
580-NMA0515S	C	5	±15	34	21.41	19.47	17.70	
580-NMA1205S	C	12	±5	100	21.41	19.47	17.70	
580-NMA1212S	C	12	±12	42	21.41	19.47	17.70	
580-NMA1215S	C	12	±15	34	21.41	19.47	17.70	

2W Dual Output NMH Series

Specifications:

- Input reflected noise: 100mV p-p max.
- Output ripple and noise: 150mV p-p max.
- Efficiency at full load: 5V output type - 65% min. 12V and 15V output type - 70% min.

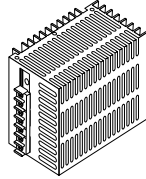
MOUSER STOCK NO.	Fig.	Input Volts	Output Volts	Io (mA)	Price Each			
					1	25	50	100
580-NMH0505S	D	5	±5	200	24.85	21.12	18.37	Call For Quote
580-NMH0512S	D	5	±12	83	24.85	21.12	18.37	
580-NMH0515S	D	5	±15	67	24.85	21.12	18.37	
580-NMH1205S	D	12	±5	200	24.85	21.12	18.37	
580-NMH1212S	D	12	±12	83	24.85	21.12	18.37	
580-NMH1215S	D	12	±15	67	24.85	21.12	18.37	

NEW THIS ISSUE NEW THIS ISSUE NEW THIS ISSUE NEW THIS ISSUE NEW THIS ISSUE

SWITCHING POWER SUPPLIES

ER Series is a low cost, high efficiency series of switching power supplies with a 3 year warranty. Available with up to 3 output channels and from 10 to 150 watt output.

- 3 year warranty
- Input: 85-132VAC
- Overvoltage protection
- EMI level: complies with FCC class B, class A for ERD & ERE
- Cross to Cosel K and MMC Series



ER Series AC Input Single Output

For quantities greater than listed, call for quote.

MOUSER STOCK NO.	Power	Output	Dimensions (In.)			Price Each		
			W	L	H	1	5	10
618-ERS05SA	10W	5VDC 2A	2.91	2.68	1.06	34.03		
618-ERS12SA	10W	12VDC .9A	2.91	2.68	1.06	34.03		
618-ERS15SA	10W	15VDC .7A	2.91	2.68	1.06	34.03		
618-ERS24SA	10W	24VDC .5A	2.91	2.68	1.06	34.03		
618-ERM05SA	15W	5VDC 3A	3.82	3.88	1.22	42.59		
618-ERM12SA	15W	12VDC 1.3A	3.82	3.88	1.22	42.59		
618-ERM15SA	15W	15VDC 1A	3.82	3.88	1.22	42.59		
618-ERM24SA	15W	24VDC .7A	3.82	3.88	1.22	42.59		
618-ERA05SA	25W	5VDC 5A	3.82	4.59	1.22	50.93		
618-ERA12SA	25W	12VDC 2.1A	3.82	4.59	1.22	50.93		
618-ERA15SA	25W	15VDC 1.7A	3.82	4.59	1.22	50.93		
618-ERA24SA	25W	24VDC 1.1A	3.82	4.59	1.22	50.93		
618-ERB05SA	50W	5VDC 10A	3.82	6.26	1.46	58.02		
618-ERB12SA	50W	12VDC 4.2A	3.82	6.26	1.46	58.02		
618-ERB15SA	50W	15VDC 3.4A	3.82	6.26	1.46	58.02		
618-ERB24SA	50W	24VDC 2.1A	3.82	6.26	1.46	58.02		
618-ERD05SA	100W	5VDC 20A	1.97	6.50	3.66	106.00		
618-ERD12SA	100W	12VDC 8.5A	1.97	6.50	3.66	106.00		
618-ERD15SA	100W	15VDC 7A	1.97	6.50	3.66	106.00		
618-ERD24SA	100W	24VDC 4.5A	1.97	6.50	3.66	106.00		
618-ERE05SA	150W	5VDC 30A	2.56	6.97	3.62	137.82		
618-ERE12SA	150W	12VDC 14A	2.56	6.97	3.62	137.82		
618-ERE15SA	150W	15VDC 11A	2.56	6.97	3.62	137.82		
618-ERE24SA	150W	24VDC 7A	2.56	6.97	3.62	137.82		

ER Series AC Input Multi Output

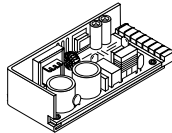
For quantities greater than listed, call for quote.

618-ERT21HWA	40W	24V 1.1A, 5V 3A	3.82	6.04	1.46	69.44		
618-ERT22HWA	40W	12V 2A, 12V 1.3A	3.82	6.04	1.46	69.44		
618-ERT24HWA	40W	12V 2A, 5V 3A	3.82	6.04	1.46	69.44		
618-ERB21HWA	60W	5V 5A, 24V 1.5A	3.82	6.26	1.46	87.65		
618-ERB22HWA	60W	12V 2A, 12V 3A	3.82	6.26	1.46	87.65		
618-ERB24HWA	60W	5V 5A, 12V 3A	3.82	6.26	1.46	87.65		
618-ERS01A	8W	5V 1.2A, +12V .1A, -12V .1A	3.82	2.68	1.06	39.17		
618-ERS03A	8W	5V 1.2A, +12V .1A, -5V .1A	3.82	2.68	1.06	39.17		
618-ERS04A	8W	5V 1.2A, +15V .1A, -15V .1A	3.82	2.68	1.06	39.17		
618-ERM01A	15W	5V 2A, +12V .3A, +12V .2A	3.82	3.88	1.22	46.75		
618-ERM04A	15W	5V 2A, +15V .2A, -15V .2A	2.91	3.88	1.22	46.75		
618-ERT01A	30W	5V 3A, +12V 1.2A, -12V .3A	2.91	6.04	1.46	65.12		
618-ERT04A	30W	5V 3A, +15V .5A, -15V .5A	2.91	6.04	1.46	65.12		
618-ERB01A	50W	5V 5A, +12V 1.5A, -12V .5A	3.82	6.26	1.46	80.05		
618-ERB03A	50W	5V 5A, +12V 1.5A, -5V .5A	3.82	6.26	1.46	80.05		
618-ERB04A	50W	5V 5A, +15V 1.2A, -15V .5A	3.82	6.26	1.46	80.05		

PL Series AC Input Single Output

PL Series was designed for applications with peak load consumption such as motor drive systems. The maximum possible output power consumption is 360W during a period of 10 seconds. The power supply is safety approved according to VDE, UL, CSA, and complies to EMI standard EN 55022/B.

- Input selectable: 85 - 132VAC, 170 - 264VAC
- 3 year warranty



MOUSER STOCK NO.	Power	Output	Dimensions (In.)			Price Each		
			W	L	H	1	5	10
618-PLY12HSZU	240W	12V 18A	2.56	9.25	4.33	205.68	192.83	186.39
618-PLY24HSZU	240W	24V 10A	2.56	9.25	4.33	205.68	192.83	186.39
618-PLY36HSZU	240W	36V 6.8A	2.56	9.25	4.33	205.68	192.83	186.39

DC-DC CONVERTERS

DC Input Single Output

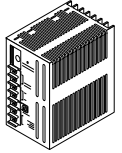
For quantities greater than listed, call for quote.

MOUSER STOCK NO.	Power	Input	Output	Dimensions (In.)			Price Each		
				W	L	H	1	5	10
618-OBQ05SC05	3W	5V	5V .5A	.79	1.26	.39	17.14	16.07	15.53
618-OBQ12SC05	3W	5V	12V .25A	.79	1.26	.39	17.14	16.07	15.53
618-OBQ15SC05	3W	5V	15V .2A	.79	1.26	.39	17.14	16.07	15.53
618-OBQ05SC12	3W	12V	5V .5A	.79	1.26	.39	17.14	16.07	15.53
618-OBQ12SC12	3W	12V	12V .25A	.79	1.26	.39	17.14	16.07	15.53
618-OBQ15SC12	3W	12V	15V .2A	.79	1.26	.39	17.14	16.07	15.53
618-OBQ05SC05	6W	5V	5V 1A	1.14	1.81	.39	25.95	24.33	23.52
618-OBQ12SC05	6W	5V	12V .5A	1.14	1.81	.39	25.95	24.33	23.52
618-OBQ15SC05	6W	5V	15V .4A	1.14	1.81	.39	25.95	24.33	23.52
618-OBQ05SC12	6W	12V	5V 1A	1.14	1.81	.39	25.95	24.33	23.52
618-OBQ12SC12	6W	12V	12V .5A	1.14	1.81	.39	25.95	24.33	23.52
618-OBQ15SC12	6W	12V	15V .4A	1.14	1.81	.39	25.95	24.33	23.52
618-OBS05SC12	10W	12V	5V 2A	1.81	1.54	.43	38.13	35.75	34.55
618-OBS12SC12	10W	12V	12V .9A	1.81	1.54	.43	38.13	35.75	34.55
618-OBS15SC12	10W	12V	15V .7A	1.81	1.54	.43	38.13	35.75	34.55

FH Series AC Input Single Output

This series of switching power supplies has it all in one: power factor correction, low line distortion, universal input, and UL1950, CSA 234, and VDE/EN 60950 approvals.

- 3 year warranty
- Power factor corrected
- Universal input: 85-264VAC
- Immunity against surge and burst
- EMI/RFI complies to VDE 0871/B, EN 55022/B, FCC/B
- UL, CSA, and VDE approvals



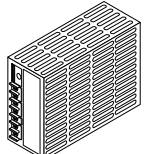
For quantities greater than listed, call for quote.

MOUSER STOCK NO.	Power	Output	Dimensions (In.)			Price Each		
			W	L	H	1	5	10
618-FHD05SX	100W	5V 20A	1.89	7.52	3.86	183.71	172.23	166.49
618-FHD12SX	100W	12V 9A	1.89	7.52	3.86	183.71	172.23	166.49
618-FHD24SX	100W	24V 4.5A	1.89	7.52	3.86	183.71	172.23	166.49
618-FHE05SX	150W	5V 30A	2.56	8.15	3.66	239.23	224.28	216.80
618-FHE12SX	150W	12V 14A	2.56	8.15	3.66	239.23	224.28	216.80
618-FHE24SX	150W	24V 7A	2.56	8.15	3.66	239.23	224.28	216.80
618-FHF05SX	300W	5V 60A	4.72	6.69	3.66	411.07	385.38	372.53
618-FHF12SX	300W	12V 27A	4.72	6.69	3.66	411.07	385.38	372.53
618-FHF15SX	300W	15V 22A	4.72	6.69	3.66	411.07	385.38	372.53
618-FHF24SX	300W	24V 14A	4.72	6.69	3.66	411.07	385.38	372.53
618-FHF48SX	300W	48V 7A	4.72	6.69	3.66	411.07	385.38	372.53
618-FHP05SX	450W	5V 90A	4.72	7.48	3.66	495.62	464.65	449.15
618-FHP12SX	450W	12V 40A	4.72	7.48	3.66	495.62	464.65	449.15
618-FHP15SX	450W	15V 32A	4.72	7.48	3.66	495.62	464.65	449.15
618-FHP24SX	450W	24V 20A	4.72	7.48	3.66	495.62	464.65	449.15
618-FHP48SX	450W	48V 10A	4.72	7.48	3.66	495.62	464.65	449.15
618-FHG05SX	600W	5V 120A	5.12	7.87	3.66	552.79	518.29	499.00
618-FHG12SX	600W	12V 53A	5.12	7.87	3.66	552.79	518.29	499.00
618-FHG15SX	600W	15V 42A	5.12	7.87	3.66	552.79	518.29	499.00
618-FHG24SX	600W	24V 27A	5.12	7.87	3.66	552.79	518.29	499.00
618-FHG48SX	600W	48V 13.5A	5.12	7.87	3.66	552.79	518.29	499.00

WR Series AC Input Single Output

A broad line of high-efficiency rugged industrial grade switching power supplies with UL, cUL, VDE, and CE approvals. All supplies are internally fused. No forced air required.

- 3 year warranty
- Universal input: 85 - 264VAC
- Overvoltage / current protection
- EMI level: VDE 0871/B, EN55022/B, FCC class B
- Cross to Cosel P Series

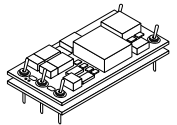


For quantities greater than listed, call for quote.

MOUSER STOCK NO.	Power	Output	Dimensions (In.)			Price Each		
			W	L	H	1	5	10
618-WRM05SXU	15W	5V 3A	3.82	3.88	1.32	54.14	50.76	49.07
618-WRM12SXU	15W	12V 1.3A	3.82	3.88	1.32	54.14	50.76	49.07
618-WRM15SXU	15W	15V 1A	3.82	3.88	1.32	54.14	50.76	49.07
618-WRM24SXU	15W	24V .7A	3.82	3.88	1.32	54.14	50.76	49.07
618-WRT05SXU	30W	5V 6A	3.82	4.88	1.44	68.74	64.44	62.29
618-WRT12SXU	30W	12V 2.5A	3.82	4.88	1.44	68.74	64.44	62.29
618-WRT15SXU	30W	15V 2A	3.82	4.88	1.44	68.74	64.44	62.29
618-WRT24SXU	30W	24V 1.4A	3.82	4.88	1.44	68.74	64.44	62.29
618-WRB05SXU	50W	5V 10A	3.82	6.26	1.56	93.70	87.84	84.91
618-WRB12SXU	50W	12V 4.2A	3.82	6.26	1.56	93.70	87.84	84.91
618-WRB15SXU	50W	15V 3.4A	3.82	6.26	1.56	93.70	87.84	84.91
618-WRB24SXU	50W	24V 2.1A	3.82	6.26	1.56	93.70	87.84	84.91
618-WRD05SXU	100W	5V 20A	3.66	7.52	1.89	167.70	157.22	151.97
618-WRD12SXU	100W	12V 9A	3.66	7.52	1.89	167.70	157.22	151.97
618-WRD15SXU	100W	15V 7A	3.66	7.52	1.89	167.70	157.22	151.97
618-WRD24SXU	100W	24V 4.5A	3.66	7.52	1.89	167.70	157.22	151.97
618-WRE05SXU	150W	5V 30A	2.56	8.15	3.66	212.09	198.89	192.30
618-WRE12SXU	150W	12V 14A	2.56	8.15	3.66	212.09	198.89	192.30
618-WRE24SXU	150W	24V 7A	2.56	8.15	3.66	212.09	198.89	192.30

OB Series AC/DC switching power supplies are designed and built to be installed right onto the user's printed circuit board, like a piece of "patch-work", a real "Power Patch". They are small, light weight and boast a wide input range.

- 3 year warranty
- Output trimming, high efficiency
- Isolation voltage: 500V min.
- Wide range input
- Wide operating temperature range
- Small input current at no load
- Fixed switching frequency 170KHz
- Over-current-protection
- Cross to Cosel ZS & ZW Series



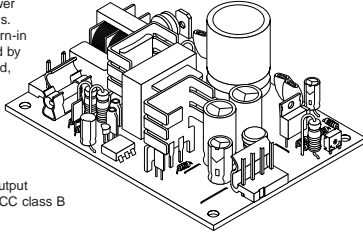
DC Input Multi Output

For quantities greater than listed,



SWITCHING POWER SUPPLIES

These high efficiency universal input switching power supplies have UL, CSA, and VDE agency approvals. They carry a 1 year warranty and feature 100% burn-in for 24 hours. All power supply inputs are protected by an internal fuse. For outputs other than those listed, call (800) 346-6873 for a quote.



- Overcurrent protection: all outputs equipped with automatic recovery current limiting circuit
- Overvoltage protection: 5.6V to 6.5V on main output
- EMI requirements: meets conduction limits of FCC class B rules, VDE 0871 class B, and VGF 243/1991

PSA-10W Series Single Output

- AC input voltage: 85-264VAC
- AC frequency: 47-440Hz
- Efficiency: 70% @ 10W 120VAC, 60Hz
- Length: 4.1"
- Width: 1.97"
- Height: 0.8"



For quantities greater than listed, call for quote.

MOUSER STOCK NO.	Output Voltage	Load		Ripple P-P	Regulation		Price Each		
		Min.	Max.		Line	Load	1	25	100
552-PSA-10L-050	5V	0.0A	2.0A	80mV	20mV	40mV	25.60	24.00	23.20
552-PSA-10L-120	12V	0.0A	0.9A	120mV	48mV	100mV	25.60	24.00	23.20
552-PSA-10L-150	15V	0.0A	0.7A	150mV	60mV	120mV	25.60	24.00	23.20
552-PSA-10L-240	24V	0.0A	0.5A	240mV	96mV	150mV	25.60	24.00	23.20

PSA-25W Series Single Output

- AC input voltage: 90-260VAC
- AC frequency: 47-63Hz
- Efficiency: 70% typical at full load
- Length: 4.0"
- Width: 3.0"
- Height: 1.3"



For quantities greater than listed, call for quote.

MOUSER STOCK NO.	Output Voltage	Load		Ripple P-P	Total Tolerance	Price Each		
		Min.	Max.			1	25	100
552-PSA-25-105	V1 +5V	0.0A	5.0A	50mV	±2%	30.64	28.73	27.77
552-PSA-25-112	V1 +12V	0.0A	2.0A	120mV	±2%	30.64	28.73	27.77
552-PSA-25-115	V1 +15V	0.0A	1.6A	150mV	±2%	30.64	28.73	27.77
552-PSA-25-124	V1 +24V	0.0A	1.1A	240mV	±2%	30.64	28.73	27.77

PSA-25W Series Multiple Output

For quantities greater than listed, call for quote.

MOUSER STOCK NO.	Output Voltage	Load		Ripple P-P	Total Tolerance	Price Each		
		Min.	Max.			1	25	100
552-PSA-25-301	V1 +5.1V	0.3A	2.0A	50mV	±2%	31.20	29.90	28.28
	V2 +12V	0.1A	1.0A	120mV	±5%			
	V3 -12V	0.0A	0.3A	120mV	±5%			

PSA-40W Series Single Output

- AC input voltage: 90-264VAC
- AC frequency: 47-63Hz
- Efficiency: 70% typical at full load
- Length: 5.0"
- Width: 3.0"
- Height: 1.2"

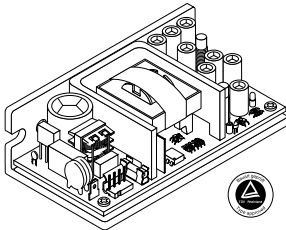


For quantities greater than listed, call for quote.

MOUSER STOCK NO.	Output Voltage	Load		Ripple P-P	Total Tolerance	Price Each		
		Min.	Max.			1	25	100
552-PSA-4005	V1 +5V	0.0A	6.0A	100mV	±2%	33.60	31.50	30.45
552-PSA-4012	V1 +12V	0.0A	3.0A	120mV	±2%	33.60	31.50	30.45
552-PSA-4015	V1 +15V	0.0A	2.5A	150mV	±5%	33.60	31.50	30.45
552-PSA-4024	V1 +24V	0.0A	1.5A	240mV	±2%	33.60	31.50	30.45

UNIVERSAL INDUSTRIAL SERIES

- AC input voltage: 90-260VAC
- AC frequency: 47-63Hz
- Efficiency: 70% typical at full load
- Length: 6.8"
- Width: 3.7"
- Height: 1.7"



110W Single Output

For quantities greater than listed, call for quote.

MOUSER STOCK NO.	Output Voltage	Load		Ripple P-P	Total Tolerance	Price Each		
		Min.	30cfm			1	25	100
552-PSA-110-105	+5V	1A	22A	50mV	±2%	72.00	67.50	65.25
552-PSA-110-112	+12V	0A	9A	120mV	±2%	72.00	67.50	65.25
552-PSA-110-124	+24V	0A	4.5A	240mV	±2%	72.00	67.50	65.25

110W Quad Output

For quantities greater than listed, call for quote.

MOUSER STOCK NO.	Output Voltage	Load		Ripple P-P	Total Tolerance	Price Each		
		Min.	30cfm			1	25	100
552-PSA-110-401	V1 +5V	2A	9A	50mV	±2%	76.80	72.00	69.60
	V2 +12V	1A	3.5A	100mV	±6%			
	V3 -5V	0A	.75A	100mV	±6%			
	V4 -12V	0A	.75A	100mV	±6%			

PSA-40W Series Multiple Output

For quantities greater than listed, call for quote.



MOUSER STOCK NO.	Output Voltage	Load		Ripple P-P	Total Tolerance	Price Each		
		Min.	Max.			1	25	100
552-PSA-4031	V1 +5.1V	0.5A	3.0A	50mV	±2%	33.60	31.50	30.45
	V2 +12V	0.2A	2.0A	120mV	±5%			
	V3 -12V	0.0A	0.5A	120mV	±5%			
552-PSA-4032	V1 +5.1V	0.5A	4.0A	50mV	±2%	33.60	31.50	30.45
	V2 +12V	0.0A	0.5A	120mV	±5%			
	V3 -12V	0.0A	0.5A	120mV	±5%			
552-PSA-4033	V1 +5.1V	0.5A	3.0A	50mV	±2%	33.60	31.50	30.45
	V2 +12V	0.2A	2.0A	120mV	±5%			
	V3 -5V	0.0A	0.5A	50mV	±5%			
552-PSA-4034	V1 +5.1V	0.5A	3.0A	50mV	±2%	33.60	31.50	30.45
	V2 +15V	0.2A	2.0A	150mV	±5%			
	V3 -15V	0.0A	0.5A	150mV	±5%			
552-PSA-4035	V1 +5.1V	0.5A	3.0A	50mV	±2%	33.60	31.50	30.45
	V2 +24V	0.3A	1.0A	240mV	±5%			

PSA-45W Series Single Output

For quantities greater than listed, call for quote.

MOUSER STOCK NO.	Output Voltage	Load		Ripple P-P	Total Tolerance	Price Each		
		Min.	Max.			1	25	100
552-PSA-45-050	V1 +5V	0.0A	8A	50mV	±2%	36.40	34.13	32.99
552-PSA-45-120	V1 +12V	0.0A	4A	120mV	±2%	36.40	34.13	32.99
552-PSA-45-150	V1 +15V	0.0A	3A	150mV	±2%	36.40	34.13	32.99
552-PSA-45-240	V1 +24V	0.0A	2A	240mV	±2%	36.40	34.13	32.99

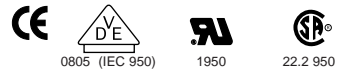
PSA-45W Series Multiple Output

For quantities greater than listed, call for quote.

MOUSER STOCK NO.	Output Voltage	Load		Ripple P-P	Total Tolerance	Price Each		
		Min.	Max.			1	25	100
552-PSA-4531	V1 +5V	0.0A	4A	50mV	±2%	37.60	35.25	34.08
	V2 +12V	0.0A	1.5A	120mV	±5%			
	V3 -12V	0.0A	0.5A	120mV	±5%			
552-PSA-4534	V1 +5V	0.0A	4A	50mV	±2%	37.60	35.25	34.08
	V2 +15V	0.0A	1.2A	150mV	±5%			
	V3 -15V	0.0A	0.5A	150mV	±5%			
552-PSA-4541	V1 +5V	0.0A	3A	50mV	±2%	37.60	35.25	34.08
	V2 +12V	0.0A	2A	120mV	±5%			
	V3 -12V	0.0A	0.5A	120mV	±5%			
	V4 +5V	0.0A	0.5A	50mV	±5%			

PSA-60W Series Single Output

- AC input voltage: 90-260VAC
- AC frequency: 47-63Hz
- Efficiency: 70% typical at full load
- Length: 5.0"
- Width: 3.0"
- Height: 1.58"



For quantities greater than listed, call for quote.

MOUSER STOCK NO.	Output Voltage	Load		Ripple P-P	Total Tolerance	Price Each		
		Min.	Max.			1	25	100
552-PSA-60-105	V1 +5V	0.0A	10A	50mV	±2%	41.60	39.00	37.70
552-PSA-60-112	V1 +12V	0.0A	5.0A	120mV	±2%	41.60	39.00	37.70
552-PSA-60-115	V1 +15V	0.0A	4.0A	240mV	±2%	41.60	39.00	37.70
552-PSA-60-124	V1 +24V	0.0A	2.5A	150mV	±2%	41.60	39.00	37.70
552-PSA-60-148	V1 +48V	0.0A	1.2A	480mV	±2%	41.60	39.00	37.70

PSA-60W Series Multiple Output

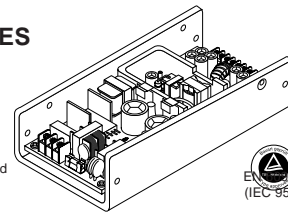
For quantities greater than listed, call for quote.

MOUSER STOCK NO.	Output Voltage	Load		Ripple P-P	Total Tolerance	Price Each		
		Min.	Max.			1	25	100
552-PSA-60-202	V1 +5.1V	1.0A	6.0A	50mV	±2%	41.60	39.00	37.70
	V2 +24V	1.0A	1.3A	240mV	±5%			
552-PSA-60-301	V1 +5.1V	1.0A	6.0A	50mV	±2%	41.60	39.00	37.70
	V2 +12V	0.3A	2.2A	120mV	±5%			
	V3 -12V	0.0A	0.3A	120mV	±5%			

AUTO-RANGING INDUSTRIAL SERIES

150W Single Output

- AC input voltage: 90-132/180-264VAC
- AC frequency: 47-63Hz
- Efficiency: 70% typical at full load
- Length: 7.8"
- Width: 3.8"
- Height: 1.5"



For quantities greater than listed, call for quote.

MOUSER STOCK NO.	Output Voltage	Load		Ripple P-P	Total Tolerance	Price Each		
		Min.	30cfm			1	25	100
552-PSA-1503U	+5V	0.0A	30A	70mV	±1%	123.20	115.50	111.65
552-PSA-1504U	+12V	0.0A	12A	120mV	±1%	123.20	115.50	111.65
552-PSA-1505U	+24V	0.0A	6A	240mV	±1%	123.20	115.50	111.65

150W Multiple Output

For quantities greater than listed, call for quote.

MOUSER STOCK NO.	Output Voltage	Load		Ripple P-P	Total Tolerance	Price Each		
		Min.	30cfm			1	25	100
552-PSA-1509U	V1 +5V	3.0A	15A	50mV	±1%	132.80	124.50	120.35
	V2 -5V	0.2A	1A	100mV	±6%			
	V3 -12V	0.2A	1A	100mV	±6%			
	V4 +12V	1.0A	5A	100mV	±6%			

200W Multiple Output

- AC input voltage: 90-132/180-264VAC
- AC frequency: 47-63Hz
- Efficiency: 70% typical at full load
- Length: 8"
- Width: 4.5"
- Height: 2"



For quantities greater than listed, call for quote.

MOUSER STOCK NO.	Output Voltage	Load		Ripple P-P	Total Tolerance	Price Each		
		Min.	30cfm			1	25	100
552-PSA-2041U	V1 +5V	5.0A	25A	50mV	±1%	158.40	148.50	143.55
	V2 -5V	0.4A	2A	100mV	±6%			
	V3 -12V	0.4A	2A	120mV	±6%			
	V4 +12V	1.0A	5A	120mV	±6%			

Power Supplies and AC Adaptors

UNIVERSAL INPUT TABLE TOP POWER SUPPLIES

These table top power supplies use an IEC 320 input power receptacle. This gives the user the ability to use this power supply internationally by changing the input cord. See our AC power cord section for the cord you need.

- AC input voltage: 90-264VAC
- AC frequency: 47-63Hz
- AC connector: IEC 320 cord

15 Watt Dual Output

- Efficiency: 70% @ 15W 120VAC, 60Hz
- Overvoltage protection: >120%
- Overcurrent protection: >110%, auto reset
- DC connector: mini-DIN, 5 pin



• Length: 4.4" • Width: 2.36" • Height: 1.47"

MOUSER STOCK NO.	Fig.	Output Voltage	Load		Regulation		Price Each		
			Min.	Max.	Line	Load	1	25	100
552-PSA-15-201	A	5V	0.4A	1A	±1%	±5%	33.52	31.43	30.38
		12V	0.05A	0.75A	±1%	-5,+8%			

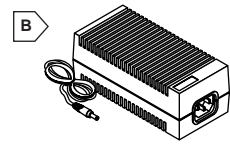
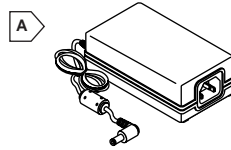
30 Watt Single Output

- Efficiency: 75% typical, full load
- Overvoltage protection: 150% maximum, non-latching
- Overcurrent protection: short circuit protected
- DC connector: 2.1mm coaxial center positive



• Length: 4.41" • Width: 2.36" • Height: 1.42"

MOUSER STOCK NO.	Fig.	Output Voltage	Load		Regulation	Price Each		
			Min.	Max.		1	25	100
552-PSA-30U-050	A	5V	0A	4.0A	±5%	36.80	34.50	33.35
552-PSA-30U-090	A	9V	0A	2.2A	±5%	36.80	34.50	33.35
552-PSA-30U-120	A	12V	0A	2.5A	±5%	36.80	34.50	33.35
552-PSA-30U-150	A	15V	0A	2.0A	±5%	36.80	34.50	33.35
552-PSA-30U-180	A	18V	0A	1.6A	±5%	36.80	34.50	33.35
552-PSA-30U-240	A	24V	0A	1.25A	±5%	36.80	34.50	33.35



40 Watt Multiple Output

- Efficiency: 70% min. at max. load
- Overvoltage protection: 5.6 to 6.8VDC (+5 only)
- Overcurrent protection: output equipped w/short circuit protection
- EMI requirements FCC: class B rules, VDE 0871 class B rules
- DC connector: 5p DIN, 180°



EN60950 (IEC 950) 1950 (E134610) 22.2 Std. 223, Class II (LR56927-107) • Length: 6.54" • Width: 3.15" • Height: 2.23"

MOUSER STOCK NO.	Fig.	Output Voltage	Load		Regulation		Price Each		
			Min.	Max.	Line	Load	1	25	100
552-PSA-46-301	B	+5V	0.5A	3A	±2%	±5%	51.75	47.75	46.00
		+12V	0.5A	2A	±2%	±5%			
		-12V	0A	0.3A	±2%	±8%			

50 Watt Single Output

- Efficiency 70% min. at max. load
- Overvoltage protection: at 110-130% of rated voltage
- Overcurrent protection: output equipped w/short circuit protection
- EMI requirements FCC: class B rules, VDE 0871 class B rules
- DC connector 2.1mm coaxial center positive



EN60950 (IEC 950) 1950 22.2 223 • Length: 6.54" • Width: 3.15" • Height: 2.23"

MOUSER STOCK NO.	Fig.	Output Voltage	Load		Total Tolerance	Price Each		
			Min.	Max.		1	25	100
552-PSA-124	B	12V	0.1A	4.2A	±0.5VDC	44.00	41.25	39.88
552-PSA-153	B	15V	0.1A	3.6A	±0.5VDC	44.00	41.25	39.88
552-PSA-242	B	24V	0.1A	2.2A	±0.5VDC	44.00	41.25	39.88

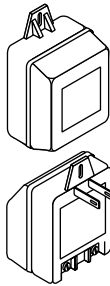
PLUG IN TRANSFORMERS

- Input voltage: 120VAC
- Protected by thermal/current fuse



For quantities greater than listed, call for quote.

MOUSER STOCK NO.	Output Voltage (VAC)	Output Power (VA)	Output Current (A)	Price Each		
				1	10	20
507-XP1220	12	20	1.666	7.25	6.56	6.15
507-XP1620	16.5	20	1.212	7.25	6.56	6.15
507-XP2420	24	20	0.833	7.25	6.56	6.15
507-XP1640	16.5	40	2.424	9.05	8.16	7.65
507-XP1840	18	40	2.222	9.05	8.16	7.65
507-XP2440	24	40	1.666	9.05	8.16	7.65

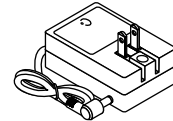


18W PLUG-IN ADAPTOR SERIES

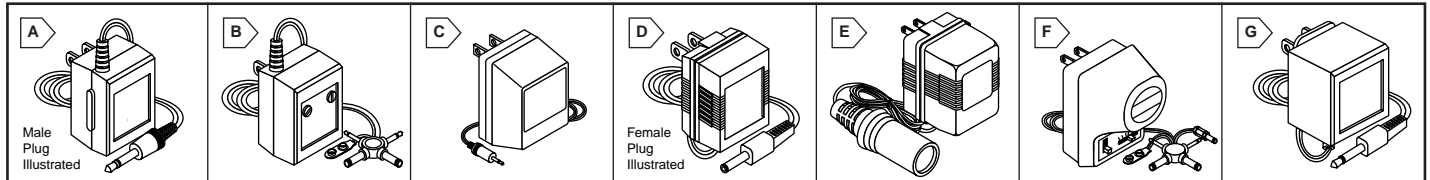
- AC input voltage: 90-132VAC
- AC frequency: 47-63Hz
- Efficiency: 70-75% typical at full load
- Length: 3.46"
- Width: 2.28"
- Height: 1.1"



NTR/UC 22.2 223 Class II UL1310 Class II

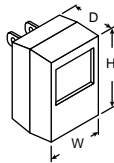


MOUSER STOCK NO.	Output Voltage	Load		Ripple P-P	Regulation (2)		Price Each		
		Min.	Max.		Line	Load	1	25	100
552-PSA-18-050	+5.1V	0A	2.5A	50mV	±1%	±5%	29.84	27.98	27.55
552-PSA-18-120	+12V	0A	1.5A	120mV	±1%	±5%	29.84	27.98	27.55



HiQ MAGNETICS AC ADAPTORS

- Features:
- Current ratings to 1 amp
 - All DC connectors are positive (+) center pin except universals which are selectable
 - Plugs into standard 115V outlet
 - 72" output cord with molded termination



AC to DC (Standard)

MOUSER STOCK NO.	Fig.	Output Rating (mA)	Dimensions (In.)			Output Plug	Price Each		
			H	W	D		1	10	50
41AC106	A	6VDC/100mA	2.20	1.75	1.45	3.5mm male	3.99	3.33	3.03
41AC115	A	6VDC/200mA	2.37	2.00	1.70	3.5mm male	3.99	3.33	3.03
41AC109	A	9VDC/100mA	2.20	1.75	1.45	3.5mm male	3.99	3.33	3.03
41AC114	A	9VDC/200mA	2.37	2.00	1.70	3.5mm male	4.49	3.75	3.41
41AC119	A	12VDC/100mA	2.20	1.75	1.45	Stripped and tinned	4.49	3.75	3.41
41AC118	A	12VDC/100mA	2.20	1.75	1.45	2.1mmx5.5mm female	4.49	3.75	3.41
41AC112	A	12VDC/100mA	2.20	1.75	1.45	2.5mm male	4.49	3.75	3.41
41AC117	A	12VDC/100mA	2.20	1.75	1.45	3.5mm male	4.49	3.75	3.41
41AC113	A	12VDC/200mA	2.37	2.00	1.70	2.5mm male	4.49	3.75	3.41
41AC116	B	Universal 3, 4.5, 6, 9, & 12VDC/300mA	2.30	2.00	1.70	5 way 2.5mm, 3.5mm male, 2.1mmx5.0mm, 2.5x5.5mm female 9VDC batt. snap 110/220VAC 50/60 Hz	6.29	5.19	4.75

AC to AC

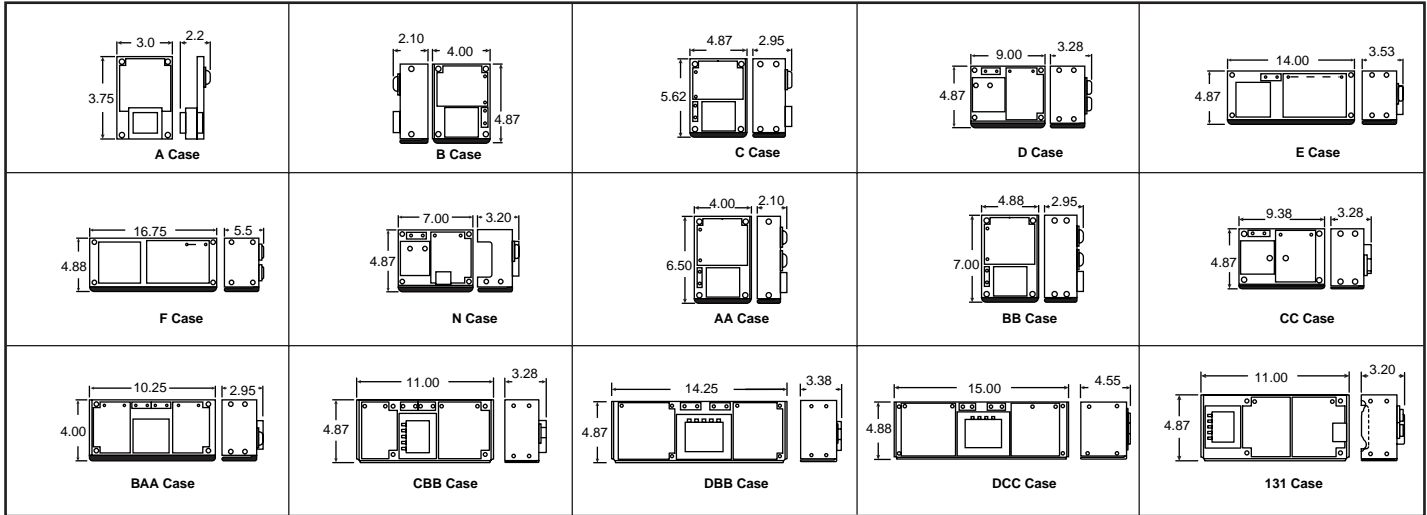
41AC415	C	15VAC/400mA	2.76	1.97	1.57	2.5mm male	5.49	4.39	3.73
---------	---	-------------	------	------	------	------------	------	------	------

AC to DC (UL Listed)

MOUSER STOCK NO.	Fig.	Output Rating (mA)	Dimensions (In.)			Output Plug	Price Each		
			H	W	D		1	10	50
412-6200	D	6VDC/200mA	2.2	1.70	1.50	3.5mm male	4.75	3.96	3.60
412-109011	D	9VDC/100mA	2.3	1.70	1.65	3.5mm male	4.68	3.90	3.55
412-109021	D	9VDC/200mA	2.3	1.70	1.65	3.5mm male	4.75	3.96	3.60
412-112021	D	12VDC/200mA	2.3	1.70	1.65	3.5mm male	4.90	4.08	3.71
412-1103	D	12VDC/1AMP	3.3	2.70	2.10	3.5mm male	10.42	8.68	7.89
412-109024	D	9VDC/200mA	2.3	1.70	1.65	2.1mmx5.5mm female	4.75	3.96	3.60
412-109033	D	9VDC/300mA	2.3	1.70	1.65	2.5mmx5.5mm female	4.83	4.02	3.66
412-109034	D	9VDC/300mA	2.3	1.70	1.65	2.1mmx5.5mm female	4.83	4.02	3.66
412-112013	D	12VDC/100mA	2.3	1.70	1.65	2.5mmx5.5mm female	4.87	4.05	3.69
412-112023	D	12VDC/200mA	2.3	1.70	1.65	2.5mmx5.5mm female	4.90	4.08	3.71
412-1250	E	12VDC/500mA	2.5	2.09	1.67	Lighter socket	7.91	6.60	6.00
412-112053	D	12VDC/500mA	2.6	1.93	1.73	2.5mmx5.5mm female	6.68	5.57	5.06
412-112054	D	12VDC/500mA	2.6	1.93	1.73	2.1mmx5.5mm female	6.68	5.57	5.06
412-112055	D	12VDC/500mA	2.6	1.93	1.73	1.3mmx3.5mm female	6.79	5.66	5.14
412-112103	D	12VDC/1 AMP	2.5	2.24	1.97	2.5mmx5.5mm female	10.42	8.68	7.89
412-3120	F	Universal 3, 4.5, 6, 7.5, 9 and 12VDC/500mA	2.9	2.02	2.00	6 way 2.5mm, 3.5mm male, 1.3mmx3.5mm, 2.1mmx5.0mm, 2.5mm x 5.5mm female 9VDC batt., snap, ± polarity switch	9.95	8.54	7.49

AC to AC

412-2004	G	12VAC/500mA	2.2	2.1	1.6	3.5mm male	6.03	5.02	4.57
----------	---	-------------	-----	-----	-----	------------	------	------	------



LINEAR DC POWER SUPPLIES

Single Output Models

MOUSER STOCK NO.	Case Style	Output #1	Price Each	
			1	10
597-A5-1.2/P	A	5V @ 1.2A	28.28	27.30
597-A5-1.5/P	B	5V @ 1.5A	29.80	28.77
597-B5-3/P	B	5V @ 3A	34.50	32.77
597-C5-6/P	C	5V @ 6A	57.50	54.62
597-N5-9/P	N	5V @ 9A	78.50	74.59
597-D5-12/P	D	5V @ 12A	88.77	84.78
597-E5-18/P	E	5V @ 18A	125.95	119.65
597-F5-25/P	F	5V @ 25A	184.51	178.97
597-B12-1.7	B	12V @ 1.7A	34.50	32.77
597-C12-3.4	C	12V @ 3.4A	52.50	49.87
597-N12-5.1	N	12V @ 5.1A	73.50	69.82
597-D12-6.8	D	12V @ 6.8A	83.95	79.95
597-E12-10.2	E	12V @ 10.2A	115.50	109.73
597-F12-15	F	12V @ 15A	184.51	178.97
597-A15-0.5	A	12V-15V @ 0.5A	28.28	27.30
597-A15-0.9	B	12V-15V @ 0.9A	29.70	28.67
597-B15-1.5	B	15V @ 1.5A	34.50	32.77
597-C15-3.0	C	15V @ 3A	52.50	49.87
597-N15-4.5	N	15V @ 4.5A	73.50	69.82
597-D15-6.0	D	15V @ 6A	83.95	79.75
597-E15-9.0	E	15V @ 9A	115.50	109.73
597-F15-15	F	12V@16A or 15V@15A	184.51	178.97
597-A24-0.5	B	24V @ 0.5A	29.70	28.67
597-B24-1.2	B	24V @ 1.2A	34.50	32.77
597-C24-2.4	C	24V @ 2.4A	52.50	49.87
597-N24-3.6	N	24V @ 3.6A	73.50	69.82
597-D24-4.8	D	24V @ 4.8A	83.95	79.75
597-E24-7.2	E	24V @ 7.2A	114.90	109.72
597-F24-12	F	24V@12A or 28V@10A	184.51	178.97
597-B28-1.0	B	28V @ 1.0A	34.50	32.77
597-C28-2.0	C	28V @ 2.0A	52.50	49.87
597-N28-3.0	N	28V @ 3.0A	73.50	69.82
597-D28-4.0	D	28V @ 4.0A	83.95	79.75
597-E28-6.0	E	28V @ 6.0A	115.50	109.73
597-B48-0.5	B	48V @ 0.5A	36.50	34.68
597-C48-1.0	C	48V @ 1.0A	57.50	54.62
597-D48-3.0	D	48V @ 3.0A	88.77	84.78
597-E48-4.0	E	48V @ 4.0A	125.95	119.65
597-B155-0.12	B	135-170V @ .12A	41.95	39.85
597-B200-0.12	B	175-210V @ .12A	41.95	39.85
597-B250-0.1	B	215-265V @ .1A	41.95	39.85

Specifications:

- AC input: 100/120/220/230-240VAC, +10%-13%, 47 to 63Hz
- Line regulation: $\pm 0.05\%$ for a +10% line change
- Load regulation: $\pm 0.05\%$ for a 50% load change
- Output ripple: 5.0mV max. peak-to-peak on 2-15V units 0.02% max. peak-to-peak on 24-250V units

Features:

- Meets UL, CSA, VDE, BPO, IEC, CEE, ECMA safety requirements
- Over voltage protection on 5 volt outputs (set at $6.2 \pm 0.4V$)
- Chassis for $\pm 15V$ (or less) are pre-drilled to accommodate 597-P12 and 597-P24 over voltage protection modules
- Two year warranty



Over Voltage Protection Modules

MOUSER STOCK NO.	Price Each	
	1	10
597-P12	7.95	7.80
597-P24	14.95	14.66

Dual Output Models

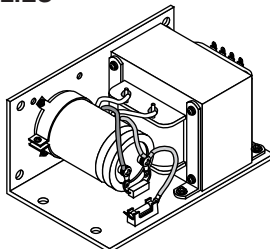
MOUSER STOCK NO.	Case Style	Output		Price Each	
		#1	#2	1	10
597-AA512	AA	5V @ 2A	12-15V @ 0.5A	52.50	49.88
597-BB512	BB	5V @ 3A	12-15V @ 1.5A	62.95	59.80
597-CC512	CC	5V @ 6A	12-15V @ 2.5A	99.50	94.53
597-AD12-0.4	B	12V @ 0.4A	-12V @ 0.4A	38.75	36.81
597-AD15-0.4	B	15V @ 0.4A	-15V @ 0.4A	38.75	36.80
597-AA15-0.8	AA	12V @ 1A or 15V @ 0.8A	-12V @ 1A or -15V @ 0.8A	45.00	42.75
597-BB15-1.5	BB	12V @ 1.7A or 15V @ 1.5A	-12V @ 1.7A or -15V @ 1.5A	57.50	54.62
597-CC15-3.0	CC	12V @ 3.4A or 15V @ 3.0A	-12V @ 3.4A or -15V @ 3.0A	91.91	87.87
597-DD15-5	E	12-15V @ 5A	-12-15V @ 5A	136.50	129.68
597-AA24-0.6	AA	18-20V @ 0.4A or 24V @ 0.6A	-18-20V @ 0.4A or -24V @ 0.6A	45.00	42.75
597-BB24-1.2	BB	18-20V @ 0.9A or 24V @ 1.2A	-18-20V @ 0.9A or -24V @ 1.2A	57.50	54.63
597-CC24-2.4	CC	18-20V @ 1.8A or 24V @ 2.4A	-18-20V @ 1.8A or -24V @ 2.4A	92.50	87.88

Triple Output Models

MOUSER STOCK NO.	Case Style	Output			Price Each	
		#1	#2	#3	1	10
597-TAA-16W	AA	5V @ 2A	12 to 15V @ 0.4A	-12 to -15V @ 0.4A or -5V @ 0.4A	57.75	54.86
597-BAA-40W	BAA	5V @ 3A	12V @ 1A or 15V @ 0.8A	-12V @ 1A or -15V @ 0.8A or -5V @ 0.4A	79.25	75.76
597-BCC512	CC	5V @ 3A	12V @ 3.4A or 15V @ 3A	-12V @ 3.4A or -15V @ 3A	122.25	119.70
597-BCC524	CC	5V @ 3A	18-20V @ 1.8A or 24V @ 2.4A	-18-20V @ 1.8A or -24V @ 2.4A	123.98	119.70
597-CAA-60W	D	5V @ 6A	12 to 15V @ 1A	-12 to -15V @ 1A or -5V @ 0.4A	94.50	89.77
597-CBB-75W	CBB	5V @ 6A	12V @ 1.7A or 15V @ 1.5A	-12V @ 1.7A or -15V @ 1.5A or -5V @ 0.7A	104.95	99.70
597-CP131	131	5V @ 8A	12V @ 1.7A or 15V @ 1.5A	-12V @ 1.7A or -15V @ 1.5A or -5V @ 0.7A	125.95	119.65
597-DBB-105W	DBB	5V @ 12A	12V @ 1.7A or 15V @ 1.5A	-12V @ 1.7A or -15V @ 1.5A or -5V @ 0.7A	141.50	134.43
597-DCC-150W	DCC	5V @ 12A	12V @ 3.4A or 15V @ 3A	-12V @ 3.4A or -15V @ 3A	162.50	154.38

UNREGULATED POWER SUPPLIES

The IP500U series unregulated power supply line is designed for high current applications at low cost when full regulation is not required. This rugged, highly reliable power supply line is ideal for applications such as powering solenoids, relays, DC motors, lamps, and DC-DC converters.



Specifications:

- AC input 47 to 63Hz
- 108/120/132/216/240/264VAC input selection
- Output ripple: 3%RMS @ full rated load, 4% on 12 volt model
- Efficiency @ full load: 80% typical
- UL recognized for USA and Canada, file no. 133338



MOUSER STOCK NO.	Typical DC Output @ 120VAC Input				Price Each	
	No Load	Half Load	Full Load	Amps Full Load	1	10
597-IP500U24	29.2	26.8	24.6	20	160.79	155.25
597-IP500U36	42.8	38.2	36.1	13.3	187.05	180.60
597-IP500U48	56.6	52.8	48.8	10	160.79	155.25
597-IP500U75	85.5	78.2	74.8	6.6	187.05	180.60

SPLIT-PACK® POWER TRANSFORMERS

The Triad Split-Pack® split bobbin transformer from MagneTek is an extremely versatile tool for PC board applications. Split-Pack® transformers are noncentrally wound with primaries and secondaries side-by-side. Unlike the secondary on-top-of-primary designs of standard PC board transformers, the split-bobbin winding and low capacitive coupling eliminate costly electrostatic shielding.

Features:

- Primary: 115/230V 50/60Hz
- Hi-pot tested at 2,500VRMS
- Class B UL recognized
- PC terminal pin spacing for accurate placement

Series connections: 230V

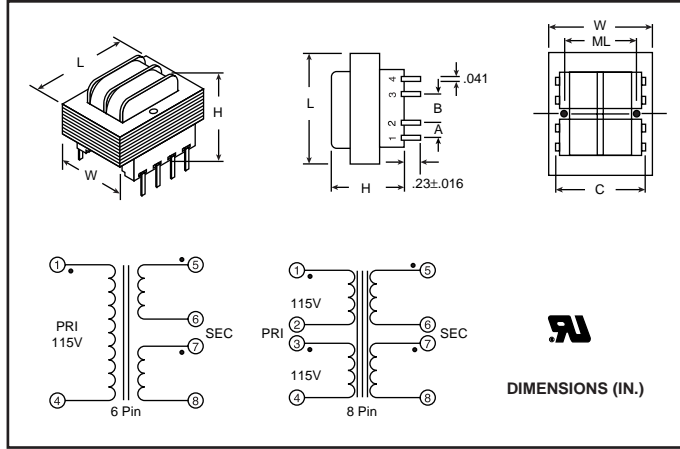
Primary: input 1 and 4, connect 2 and 3

Secondary: output 5 and 8, connect 6 and 7

Parallel connections: 115V

Primary: input 1 and 2, connect 1 and 3, 2 and 4

Secondary: output 5 and 6, connect 5 and 7, 6 and 8



*: Has 4 mounting holes on 2.188 x 1.75 centers

Power (VA)	Dimensions (In.)						
	H	W	L	ML	A	B	C
1.1	.9375	1.125	1.375	---	0.25	0.25	1.20
2.5	1.188	1.125	1.375	---	0.25	0.25	1.20
6.0	1.313	1.313	1.625	1.063	0.25	0.35	1.28
12.0	1.438	1.563	1.875	1.25	0.30	0.40	1.41
20.0	1.438	1.875	2.250	1.50	0.30	0.40	1.60
36.0	1.563	2.188	2.625	*	0.40	0.40	1.85

Single Primary 115V, 6 Pins

For quantities greater than listed, call for quote.

MOUSER STOCK NO.	Power (VA)	Secondary Ratings		Price Each		
		Series	Parallel	1	10	25
553-F24-045	1.1	24.0VCT @ 0.045A	12.0V @ .09A	7.51	6.38	5.71
553-F10-250	2.5	10.0VCT @ 0.25A	5.0V @ 0.5A	7.64	6.49	5.81
553-F12-200	2.5	12.6VCT @ 0.2A	6.3V @ 0.4A	7.64	6.49	5.81
553-F16-150	2.5	16.0VCT @ 0.15A	8.0V @ 0.3A	7.64	6.49	5.81
553-F36-65	2.5	36.0VCT @ 0.065A	18.0V @ 0.13A	7.64	6.49	5.81
553-F12-500	6.0	12.6VCT @ 0.5A	6.3V @ 1.0A	8.64	7.34	6.57
553-F16-400	6.0	16.0VCT @ 0.4A	8.0V @ 0.8A	8.64	7.34	6.57
553-F20-300	6.0	20.0VCT @ 0.3A	10.0V @ 0.6A	8.64	7.34	6.57
553-F24-250	6.0	24.0VCT @ 0.25A	12.0V @ 0.5A	8.64	7.34	6.57
553-F28-200	6.0	28.0VCT @ 0.2A	14.0V @ 0.4A	8.64	7.34	6.57
553-F10-1200	12.0	10.0VCT @ 1.2A	5.0V @ 2.4A	9.91	8.42	7.53
553-F12-1000	12.0	12.6VCT @ 1.0A	6.3V @ 2.0A	9.91	8.42	7.53
553-F20-600	12.0	20.0VCT @ 0.6A	10.0V @ 1.2A	9.91	8.42	7.53
553-F24-500	12.0	24.0VCT @ 0.5A	12.0V @ 1.0A	9.91	8.42	7.53
553-F20-1000	20.0	20.0VCT @ 1.0A	10.0V @ 2.0A	11.84	9.99	8.99
553-F16-2250	36.0	16.0VCT @ 2.25A	8.0V @ 4.5A	15.27	12.98	11.61

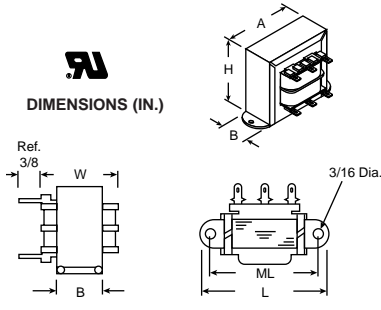
Dual Primary 115V/230V, 8 Pins

For quantities greater than listed, call for quote.

MOUSER STOCK NO.	Power (VA)	Secondary Ratings		Price Each		
		Series	Parallel	1	10	25
553-FS48-023	1.1	48.0VCT @ 0.023A	24.0V @ 0.046A	8.71	7.40	6.62
553-FS10-250	2.5	10.0VCT @ 0.25A	5.0V @ 0.5A	9.00	7.65	6.84
553-FS12-200	2.5	12.6VCT @ 0.2A	6.3V @ 0.4A	9.00	7.65	6.84
553-FS16-150	2.5	16.0VCT @ 0.15A	8.0V @ 0.3A	9.00	7.65	6.84
553-FS24-100	2.5	24.0VCT @ 0.1A	12.0V @ 0.2A	9.00	7.65	6.84
553-FS36-65	2.5	36.0VCT @ 0.065A	18.0V @ 0.13A	9.00	7.65	6.84
553-FS48-050	2.5	48.0VCT @ 0.05A	24.0V @ 0.1A	9.00	7.65	6.84
553-FS10-600	6.0	10.0VCT @ 0.6A	5.0V @ 1.2A	9.60	8.16	7.30
553-FS12-500	6.0	12.6VCT @ 0.5A	6.3V @ 1.0A	9.60	8.16	7.30
553-FS16-400	6.0	16.0VCT @ 0.4A	8.0V @ 0.8A	9.60	8.16	7.30
553-FS20-300	6.0	20.0VCT @ 0.3A	10.0V @ 0.6A	9.60	8.16	7.30
553-FS24-250	6.0	24.0VCT @ 0.25A	12.0V @ 0.5A	9.60	8.16	7.30
553-FS28-200	6.0	28.0VCT @ 0.2A	14.0V @ 0.4A	9.60	8.16	7.30
553-FS36-170	6.0	36.0VCT @ 0.17A	18.0V @ 0.34A	9.60	8.16	7.30
553-FS12-1000	12	12.6VCT @ 1.0A	6.3V @ 2.0A	11.00	9.35	8.36
553-FS16-800	12	16.0VCT @ 0.8A	8.0V @ 1.6A	11.00	9.35	8.36
553-FS20-600	12	20.0VCT @ 0.6A	10.0V @ 1.2A	11.00	9.35	8.36
553-FS24-500	12	24.0VCT @ 0.5A	12.0V @ 1.0A	11.00	9.35	8.36
553-FS28-420	12	28.0VCT @ 0.42A	14.0V @ 0.84A	11.00	9.35	8.36
553-FS36-350	12	36.0VCT @ 0.35A	18.0V @ 0.7A	11.00	9.35	8.36
553-FS12-1600	20	12.6VCT @ 1.6A	6.3V @ 3.2A	13.51	11.48	10.27
553-FS20-1000	20	20.0VCT @ 1.0A	10.0V @ 2.0A	13.51	11.48	10.27
553-FS24-800	20	24.0VCT @ 0.8A	12.0V @ 1.6A	13.51	11.48	10.27
553-FS28-1800	36	20.0VCT @ 1.8A	10.0V @ 3.6A	16.84	14.31	12.80
553-FS24-1500	36	24.0VCT @ 1.5A	12.0V @ 3.0A	16.84	14.31	12.80
553-FS28-1300	36	28.0VCT @ 1.3A	14.0V @ 2.6A	16.84	14.31	12.80
553-FS36-1000	36	36.0VCT @ 1.0A	18.0V @ 2.0A	16.84	14.31	12.80

QUICK PACK® POWER TRANSFORMERS

The Triad Quick Pack® offers a significant reduction in size and weight for a given VA rating. They are available in 5 sizes for a wide variety of applications. Quick Pack® transformers are bobbin wound for reduced size and small operating space, plus split bobbin nonconcentric winding eliminates costly electrostatic shielding. Termination is suitable for quick connects or soldering.



Features:

- Hi-pot tested at 2,500VRMS
- Class B insulation for max temperature of 130°C
- Terminal size is .187" x .021"
- UL recognized
- Mounting hole size: 0.188"

Output (VA)	Dimensions (In.)					
	L	W	H	A	B	ML
6.0	2.375	1.25	1.375	1.688	.688	2.000
12.0	2.813	1.375	1.625	1.938	.813	2.375
30.0	3.25	1.688	1.938	2.938	1.063	2.813
56.0	3.688	1.813	2.25	2.688	1.063	3.125
100.0	4.031	2.25	2.563	3.063	1.313	3.563

Single Primary 115VAC

For quantities greater than listed, call for quote.

MOUSER STOCK NO.	Output VA	Output Rating	Price Each		
			1	10	25
553-F4-12	6.0	12.6VCT @ 0.5A	8.40	7.14	6.38
553-F5-10	12.0	10.0VCT @ 1.2A	9.20	7.82	6.99
553-F5-12	12.0	12.6VCT @ 1.0A	9.20	7.82	6.99
553-F5-16	12.0	16.0VCT @ 0.8A	9.20	7.82	6.99
553-F6-12	30.0	12.6VCT @ 2.5A	12.51	10.63	9.51
553-F6-24	30.0	24.0VCT @ 1.25A	12.51	10.63	9.51
553-F7-20	56.0	20.0VCT @ 2.8A	17.40	14.79	13.22
553-F7-24	56.0	24.0VCT @ 2.4A	17.40	14.79	13.22
553-F8-24	100.0	24.0VCT @ 4.0A	25.00	21.25	18.99

Dual Primary 115/230VAC

For quantities greater than listed, call for quote.

MOUSER STOCK NO.	Output (VA)	Secondary Rating	Price Each		
			1	10	25
553-FD5-16	12.0	16.0VCT @ 0.8A	11.09	9.66	8.63
553-FD6-12	30.0	12.6VCT @ 2.5A	14.71	12.50	11.18
553-FD6-20	30.0	20.0VCT @ 1.5A	14.71	12.50	11.18
553-FD7-16	56.0	16.0VCT @ 3.5A	18.00	15.30	13.68
553-FD7-24	56.0	24.0VCT @ 2.4A	18.00	15.30	13.68
553-FD7-36	56.0	36.0VCT @ 1.5A	18.00	15.30	13.68

FLAT PACK POWER TRANSFORMERS

The Triad Flat Pack power transformer from MagneTek is designed to meet the needs of low clearance PC board and solid state power designs. These units can also be used for control and instrumentation applications. Voltages and currents were chosen for widely used power applications. It is offered in a dual primary and dual secondary configuration.

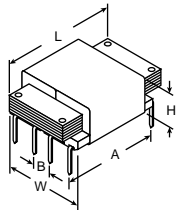
Features:

- Split bobbin with side-by-side windings to reduce capacitance and eliminate the need for a static shield
- Low profile: Allows 3/4" card spacing for 2.5 VA units, allows 1" card spacing for 6 VA units, allows 1 1/4" card spacing for 12 VA units

Specifications:

- Hi-pot tested at 2000 VRMS
- Primary: 115/230V, 50/60Hz

Power (VA)	Dimensions (In.)				
	H	W	L	A	B
2.5	.650	1.562	1.875	1.600	0.375
6.0	.875	1.562	1.875	1.600	0.375
12.0	1.062	2.000	2.500	2.000	0.500



MOUSER STOCK NO.	Power (VA)	Secondary Ratings		Price Each		
		Series	Parallel	1	10	25
553-FP10-250	2.5	10.0VCT @ 0.25A	5.0V @ 0.5A	10.76	9.15	8.18
553-FP12-200	2.5	12.6VCT @ 0.2A	6.3V @ 0.4A	10.76	9.15	8.18
553-FP30-85	2.5	30.0VCT @ 0.08A	15.0V @ 0.16A	10.76	9.15	8.18
553-FP10-600	6.0	10.0VCT @ 0.6A	5.0V @ 1.2A	11.99	10.20	9.13
553-FP12-475	6.0	12.6VCT @ 0.475A	6.3V @ 0.95A	11.99	10.20	9.13
553-FP16-375	6.0	16.0VCT @ 0.375A	8.0V @ 0.75A	11.99	10.20	9.13
553-FP20-300	6.0	20.0VCT @ 0.3A	10.0V @ 0.6A	11.99	10.20	9.13
553-FP24-250	6.0	24.0VCT @ 0.25A	12.0V @ 0.5A	11.99	10.20	9.13
553-FP30-200	6.0	30.0VCT @ 0.2A	15.0V @ 0.4A	11.99	10.20	9.13
553-FP40-150	6.0	40.0VCT @ 0.15A	20.0V @ 0.3A	11.99	10.20	9.13
553-FP230-25	6.0	230.0VCT @ 0.025A	115.0V @ 0.05A	11.99	10.20	9.13
553-FP12-950	12.0	12.6VCT @ 0.95A	6.3V @ 1.9A	13.99	11.90	10.64
553-FP16-750	12.0	16.0VCT @ 0.75A	8.0V @ 1.5A	13.99	11.90	10.64
553-FP20-600	12.0	20.0VCT @ 0.6A	10.0V @ 1.2A	13.99	11.90	10.64
553-FP24-500	12.0	24.0VCT @ 0.5A	12.0V @ 1.0A	13.99	11.90	10.64
553-FP30-400	12.0	30.0VCT @ 0.4A	15.0V @ 0.8A	13.99	11.90	10.64
553-FP34-340	12.0	34.0VCT @ 0.34A	17.0V @ 0.68A	13.99	11.90	10.64
553-FP40-300	12.0	40.0VCT @ 0.3A	20.0V @ 0.6A	13.99	11.90	10.64

PC MOUNT - WORLD SERIES™

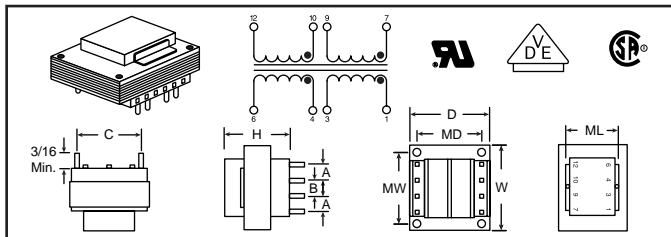
Specifications:

- Primary: 115/230V, 50/60Hz
- VA ranges: 2.5 to 56.0
- Hi-pot tested @ 4,000VRMS

VA	Dimensions (In.)							Mounting		
	H	W	D	A	B	C	Pin	ML	MD	MW
2.5	1.125	1.625	1.3125	.200	.250	1.000	.025 sq.	1.0625	----	----
5.0	1.375	1.625	1.3125	.200	.400	1.000	.025 sq.	1.0625	----	----
10.0	1.375	1.875	1.5625	.200	.400	1.140	.036 sq.	1.250	----	----
20.0	1.625	2.250	1.875	.400	.400	1.460	.036 sq.	1.500	----	----
30.0	1.5625	2.625	2.1875	.550	.275	1.680	.045 sq.	----	1.750	2.1875
56.0	1.8125	3.000	2.500	.600	.300	1.900	.045 sq.	----	2.000	2.500

For quantities greater than listed, call for quote.

MOUSER STOCK NO.	VA	Secondary		Price Each		
		Series	Parallel	1	10	25
553-VPP10250	2.5	10.0V CT @ 0.25A	5.0V @ 0.5A	9.62	8.18	7.31
553-VPP10500	5.0	10.0V CT @ 0.5A	5.0V @ 1.0A	10.36	8.81	7.87
553-VPP101000	10.0	10.0V CT @ 1.0A	5.0V @ 2.0A	11.60	9.86	8.82
553-VPP102000	20.0	10.0V CT @ 2.0A	5.0V @ 4.0A	14.11	12.00	10.72
553-VPP103000	30.0	10.0V CT @ 3.0A	5.0V @ 6.0A	16.22	13.79	12.33
553-VPP105600	56.0	10.0V CT @ 5.6A	5.0V @ 11.2A	19.84	16.86	15.08
553-VPP12200	2.5	12.6V CT @ 0.2A	6.3V @ 0.4A	9.62	8.18	7.31
553-VPP12400	5.0	12.6V CT @ 0.4A	6.3V @ 0.8A	10.36	8.81	7.87
553-VPP12800	10.0	12.6V CT @ 0.8A	6.3V @ 1.6A	11.60	9.86	8.82
553-VPP121600	20.0	12.6V CT @ 1.6A	6.3V @ 3.2A	14.11	12.00	10.72
553-VPP122400	30.0	12.6V CT @ 2.4A	6.3V @ 4.8A	16.22	13.79	12.33
553-VPP124400	56.0	12.6V CT @ 4.4A	6.3V @ 8.8A	19.84	16.86	15.08
553-VPP16150	2.5	16.0V CT @ 0.15A	8.0V @ 0.3A	9.62	8.18	7.31
553-VPP16310	5.0	16.0V CT @ 0.31A	8.0V @ 0.62A	10.36	8.81	7.87
553-VPP16620	10.0	16.0V CT @ 0.62A	8.0V @ 1.25A	11.60	9.86	8.82
553-VPP161250	20.0	16.0V CT @ 1.25A	8.0V @ 2.5A	14.11	12.00	10.72
553-VPP161900	30.0	16.0V CT @ 1.9A	8.0V @ 3.8A	16.22	13.79	12.33
553-VPP163500	56.0	16.0V CT @ 3.5A	8.0V @ 7.0A	19.84	16.86	15.08
553-VPP20120	2.5	20.0V CT @ 0.12A	10.0V @ 0.24A	9.62	8.18	7.31
553-VPP20250	5.0	20.0V CT @ 0.25A	10.0V @ 0.5A	10.36	8.81	7.87
553-VPP20500	10.0	20.0V CT @ 0.5A	10.0V @ 1.0A	11.60	9.86	8.82



For quantities greater than listed, call for quote.

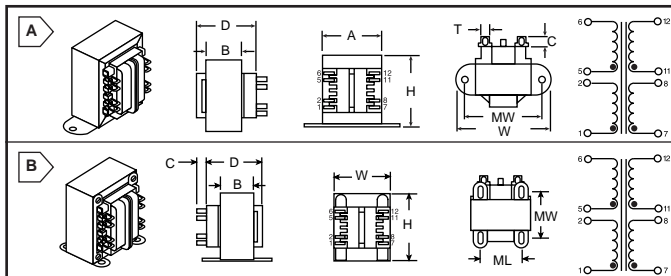
MOUSER STOCK NO.	VA	Secondary		Price Each		
		Series	Parallel	1	10	25
553-VPP201000	20.0	20.0V CT @ 1.0A	10.0V @ 2.0A	14.11	12.00	10.72
553-VPP201500	30.0	20.0V CT @ 1.5A	10.0V @ 3.0A	16.22	13.79	12.33
553-VPP202800	56.0	20.0V CT @ 2.8A	10.0V @ 5.6A	19.84	16.86	15.08
553-VPP24100	2.5	24.0V CT @ 0.1A	12.0V @ 0.2A	9.62	8.18	7.31
553-VPP24210	5.0	24.0V CT @ 0.21A	12.0V @ 0.42A	10.36	8.81	7.87
553-VPP24420	10.0	24.0V CT @ 0.42A	12.0V @ 0.84A	11.60	9.86	8.82
553-VPP24830	20.0	24.0V CT @ 0.83A	12.0V @ 1.66A	14.11	12.00	10.72
553-VPP241250	30.0	24.0V CT @ 1.25A	12.0V @ 2.50A	16.22	13.79	12.33
553-VPP242330	56.0	24.0V CT @ 2.33A	12.0V @ 4.66A	19.84	16.86	15.08
553-VPP28090	2.5	28.0V CT @ 0.09A	14.0V @ 0.18A	9.62	8.18	7.31
553-VPP28180	5.0	28.0V CT @ 0.18A	14.0V @ 0.36A	10.36	8.81	7.87
553-VPP28360	10.0	28.0V CT @ 0.36A	14.0V @ 0.72A	11.60	9.86	8.82
553-VPP28720	20.0	28.0V CT @ 0.72A	14.0V @ 1.44A	14.11	12.00	10.72
553-VPP281060	30.0	28.0V CT @ 1.06A	14.0V @ 2.12A	16.22	13.79	12.33
553-VPP282000	56.0	28.0V CT @ 2.0A	14.0V @ 4.0A	19.84	16.86	15.08
553-VPP36070	2.5	36.0V CT @ 0.07A	18.0V @ 0.14A	9.62	8.18	7.31
553-VPP36140	5.0	36.0V CT @ 0.14A	18.0V @ 0.28A	10.36	8.81	7.87
553-VPP36280	10.0	36.0V CT @ 0.28A	18.0V @ 0.56A	11.60	9.86	8.82
553-VPP36560	20.0	36.0V CT @ 0.56A	18.0V @ 1.12A	14.11	12.00	10.72
553-VPP36820	30.0	36.0V CT @ 0.82A	18.0V @ 1.64A	16.22	13.79	12.33
553-VPP361560	56.0	36.0V CT @ 1.56A	18.0V @ 3.12A	19.84	16.86	15.08

CHASSIS MOUNT - WORLD SERIES™

Specifications:

- Hi-pot tested @ 4,000VRMS
- Quick connect terminals
- Primary: 115/230V, 50/60Hz

MOUSER STOCK NO.	Fig.	VA	Secondary		Price Each		
			Series	Parallel	1	10	25
553-VPS122000	A	25	12.6V CT @ 2.0A	6.3V @ 4.0A	15.40	13.09	11.70
553-VPS123400	A	43	12.6V CT @ 3.4A	6.3V @ 6.8A	19.64	16.69	14.93
553-VPS126300	B	80	12.6V CT @ 6.3A	6.3V @ 12.6A	26.84	22.81	20.40
553-VPS161600	A	25	16.0V CT @ 1.6A	8.0V @ 3.2A	15.40	13.09	11.70
553-VPS162700	A	43	16.0V CT @ 2.7A	8.0V @ 5.4A	19.64	16.69	14.93
553-VPS165000	B	80	16.0V CT @ 5.0A	8.0V @ 10.0A	26.84	22.81	20.40
553-VPS241000	A	25	24.0V CT @ 1.0A	12.0V @ 2.0A	15.40	13.09	11.70
553-VPS241800	A	43	24.0V CT @ 1.8A	12.0V @ 3.6A	19.64	16.69	14.93
553-VPS243300	B	80	24.0V CT @ 3.3A	12.0V @ 6.6A	26.84	22.81	20.40
553-VPS36700	A	25	36.0V CT @ 0.7A	18.0V @ 1.4A	15.40	13.09	11.70
553-VPS361200	A	43	36.0V CT @ 1.2A	18.0V @ 2.4A	19.64	16.69	14.93
553-VPS362200	B	80	36.0V CT @ 2.2A	18.0V @ 4.4A	26.84	22.81	20.40
553-VPS230110	A	25	230.0V CT @ 0.11A	115.0V @ 0.22A	15.40	13.09	11.70
553-VPS230190	A	43	230.0V CT @ 0.19A	115.0V @ 0.38A	19.64	16.69	14.93
553-VPS230350	B	80	230.0V CT @ 0.35A	115.0V @ 0.7A	26.84	22.81	20.40



VA	Dimensions (In.)							Mounting	
	H	W	D	A	B	C	T	MW	ML
25	2.3125	2.8125	1.9375	2.000	1.125	.3125	.1875	2.375	----
43	2.6875	3.125	2.000	2.3125	1.125	.3125	.1875	2.8125	----
80	3.000	2.500	2.3125	----	1.375	.3125	.1875	2.000	2.250

ISOLATION POWER TRANSFORMERS

For isolating equipment from direct connection to the power line. The primary and secondary are nonconcentric precision wound on separate arbors, assembled on a laminate core side by side separated by insulation. This prevents electrical connection, under normal or overload conditions, between the primary and secondary windings.

Specifications:

- Secondary voltage: ±5%
- Leakage current from primary to secondary is rated at less than 50µA and is typically measured at less than 10µA

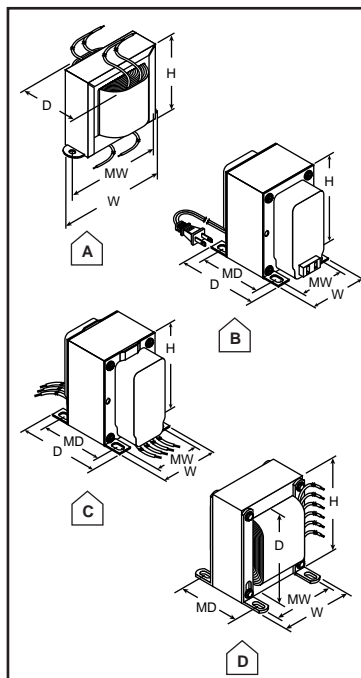
- Hi-pot tested at 1500V
- Units with "M" suffix have 2-wire 6' cord, plug and socket.
- Line cord, plug and receptacle are UL listed and verified to meet federal specifications

§ = Split winding

* Has 2 wire plug, cord, and socket

For quantities greater than listed, call for quote.

MOUSER STOCK NO.	Fig.	Power (VA)	Primary Voltages	Secondary Ratings		Mounting Hole Size (In.)	Dimensions (In.)				Price Each			
				Volts	Amps		H	W	D	MW	MD	1	10	25
553-N48X	A	15	115	115	0.13	0.188	1.938	3.313	2.0	2.813	---	14.49	12.28	10.87
553-N51X	A	35	115	115	0.3	0.188	2.281	3.688	2.125	3.125	---	14.98	12.73	11.38
553-N68X	A	50	115/230§	115	0.435	0.188	2.281	3.688	2.125	3.125	---	19.40	16.45	14.56
* 553-N54M	B	150	115	115	1.3	0.375 x 0.188	3.875	3.281	4.25	2.50	3.0	54.98	46.73	41.78
553-N67A	C	150	115/230§	115	1.3	0.375 x 0.188	3.875	3.281	3.875	2.50	3.0	42.24	35.83	31.71
553-N66A	C	250	115/230§	115	2.17	0.375 x 0.188	4.625	3.938	4.625	3.0	3.625	62.16	52.71	46.64
553-N77U	D	100	115/230	115	0.86	0.203 x 0.375	3.4375	2.8125	3.0	2.25	2.50	30.69	25.99	23.32



STEP-UP/STEP-DOWN AUTOTRANSFORMERS

Single winding transformers in which the primary coil is a fraction of the entire winding for voltage step-up or the secondary coil is a fraction of the entire winding for voltage step-down.

Specifications:

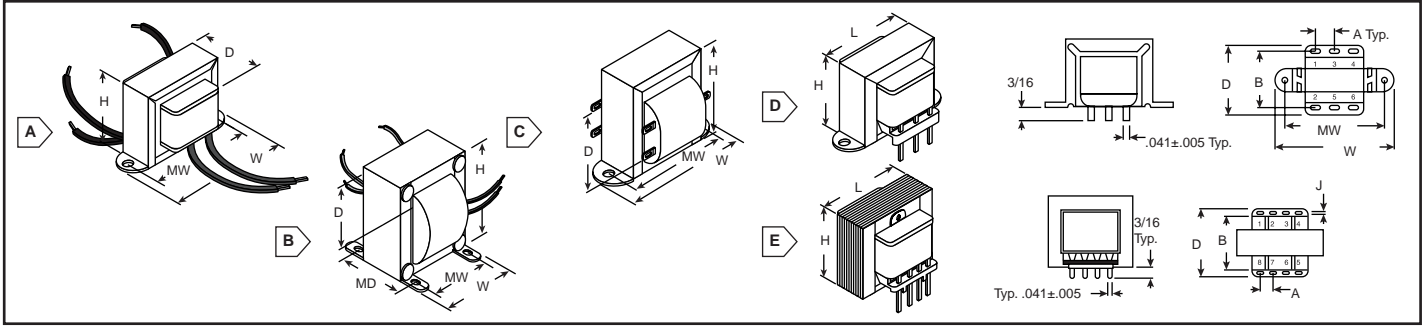
- 50/60Hz line frequency
- Hi-pot tested at 1,500 VRMS
- Secondary voltage: ±5%

- Units with "M" suffix have 2-wire 6' cord, plug and socket
- Units with "MG" suffix have 3-wire 6' cord, plug and socket

* Has 2 wire plug, cord, and socket

For quantities greater than listed, call for quote.

MOUSER STOCK NO.	Fig.	VA	Primary Voltage	Secondary Voltage	Amps	Hole Size (In.)	Dimensions (In.)				Price Each			
							H	W	D	MW	MD	1	10	25
553-N1X	A	50	230	115	0.435	0.188	2.281	3.688	2.0	3.125	---	11.01	9.36	8.37
553-N2X	A	100	230	115	0.87	0.188	2.625	4.0	2.063	3.625	---	16.18	13.75	12.30
* 553-N3M	B	85	230	115	0.74	0.375 x 0.188	3.594	2.969	2.875	2.813	1.625	29.31	24.86	22.00
553-N3MG	B	85	230	115	0.74	0.375 x 0.188	3.594	2.969	3.50	2.25	2.125	40.80	34.68	29.99
* 553-N4M	B	150	230	115	1.3	0.375 x 0.188	3.594	2.969	3.625	2.25	2.375	40.36	34.31	30.67
553-N4MG	B	150	230	115	1.3	0.375 x 0.188	3.594	2.969	4.25	2.25	2.875	54.98	46.73	41.78
553-N6U	D	200	230	115	1.7	0.203 x 0.375	3.375	2.813	2.813	2.25	2.25	31.36	26.65	23.83
* 553-N5M	B	250	230	115	2.17	0.375 x 0.188	3.875	3.281	4.25	2.50	3.0	47.24	38.65	35.90
553-N5MG	B	250	230	115										



Use these power supply transformers for direct use or in transformer, rectifier, and filter circuits. They are single primary with single or double and multiple secondaries in standard size and weight configurations.

Single Secondary

* Primary: 115/230 50/60Hz

MOUSER STOCK NO.	Fig.	Primary Voltage	Secondary Ratings		Connections	Mounting Hole Size (In.)	Dimensions (In.)					Price Each			
			Volts	Amps			H	W	D	MW	MD	1	10	25	50
* 553-F-1X	A	115	2.5CT	3.0	Leads	0.188	1.625	2.813	1.625	2.375	---	10.47	8.87	7.85	7.06
553-F-7X	A	115	5.0CT	3.0	Leads	0.188	1.938	3.313	2.00	2.813	---	13.11	11.22	9.93	8.94
553-F-13X	A	115	6.3	0.6	Leads	0.188	1.375	2.375	1.375	2.00	---	7.91	6.78	6.00	5.40
553-F314X	A	115/230	6.3CT	1.2	Leads	0.188	1.625	2.813	1.625	2.375	---	13.64	11.56	10.23	9.21
* 553-F-14X	A	115	6.3CT	1.2	Leads	0.188	1.625	2.813	1.625	2.453	---	10.60	8.99	7.99	7.21
553-F-16X	A	115	6.3CT	3.0	Leads	0.188	1.938	3.313	2.00	2.813	---	12.51	10.61	9.39	8.45
553-F-18X	A	115	6.3CT	6.0	Leads	0.188	2.594	4.00	2.25	3.563	---	17.13	14.53	12.85	11.57
* 553-F217X	A	115	12.0	1.2	Leads	0.188	2.00	3.25	1.75	2.813	---	11.87	10.06	8.91	8.02
553-F-114X	A	115	12.0	0.7	Leads	0.188	1.625	2.813	1.625	2.375	---	9.07	7.71	6.89	6.17
* 553-F224X	A	115	12.6	3.0	Leads	0.188	2.25	3.75	2.125	3.125	---	16.24	13.62	12.05	10.85
553-F325X	A	115/230	12.6CT	1.5	Leads	0.188	1.938	3.313	2.00	2.813	---	13.91	11.79	10.44	9.39
553-F-70X	A	115	12.6CT	1.0	Leads	0.188	1.938	3.313	1.750	2.813	---	11.22	9.42	8.34	7.50
553-F-25X	A	115	12.6CT	1.5	Leads	0.188	1.938	3.313	2.00	2.813	---	11.38	9.63	8.52	7.67
* 553-F-44X	A	115	12.6CT	2.0	Leads	0.188	1.938	3.313	2.00	2.813	---	13.80	11.71	10.36	9.32
553-F-344X	A	115/230	12.6CT	2.0	Leads	0.188	1.938	3.313	2.00	2.813	---	14.36	12.21	10.91	9.76
553-F112X	A	115	14.0CT	0.25	Leads	0.188	1.375	2.375	1.375	2.00	---	10.40	8.84	7.90	6.99
553-F251X	A	115	14.0CT	2.0	Leads	0.188	2.25	1.688	1.938	3.125	---	13.67	11.62	10.39	9.30
553-F253U	B	115	14.0CT	6.0	Leads	0.203 x 0.375	3.375	2.813	2.875	2.25	2.375	34.73	29.52	26.39	23.62
553-F-250X	A	115	14.0CT	1.0	Leads	0.188	1.938	3.25	1.75	2.813	---	12.49	10.62	9.49	8.49
553-F255X	A	115	20.0CT	2.0	Leads	0.188	2.563	4.00	2.25	3.563	---	17.71	15.02	13.29	11.97
* 553-F-46X	A	115	24.0	1.0	Leads	0.188	1.938	3.25	2.125	2.813	---	10.89	9.26	8.28	7.41
553-F3116X	A	115/230	24.0CT	0.2	Leads	0.188	1.375	2.375	1.50	2.00	---	12.13	10.28	9.10	8.19
553-F193U	B	115	24.0CT	4.0	Leads	0.203 x 0.375	3.813	3.125	2.813	2.50	2.125	28.96	24.56	21.74	19.56
553-F-115X	A	115	24.0CT	0.085	Leads	0.188	1.188	2.063	1.375	1.750	---	9.67	8.20	7.26	6.53
553-F-116X	A	115	24.0CT	0.2	Leads	0.188	1.375	2.375	1.50	2.00	---	10.08	8.67	7.75	6.94
553-F-117X	A	115	24.0CT	0.4	Leads	0.188	1.625	2.813	1.625	2.375	---	11.12	9.23	8.53	7.63
553-F-118X	A	115	24.0CT	0.7	Leads	0.188	2.00	3.25	2.00	2.813	---	11.95	10.26	9.17	8.21
* 553-F-45X	A	115	24.0CT	1.0	Leads	0.188	1.938	3.313	2.00	2.813	---	10.93	9.29	8.31	7.34
553-F345X	A	115/230	24.0CT	1.0	Leads	0.188	1.938	3.313	2.00	2.813	---	13.38	11.36	10.05	9.05
553-F-192X	A	115	24.0CT	2.0	Leads	0.188	2.594	4.00	2.25	3.563	---	17.20	14.57	12.89	11.60
553-F260U	B	115	24.0CT	6.0	Leads	.203 x .375	3.750	3.125	3.50	2.50	2.875	39.64	33.69	30.13	26.96
553-F401U	B	115	24.0CT	10.0	Leads	.203 x .375	4.125	3.438	3.750	2.750	3.0	43.11	36.64	32.76	29.31
553-F-57X	A	115	25.2CT	1.0	Leads	0.188	1.938	3.563	2.00	2.188	---	11.87	10.06	8.91	8.02
553-F-41X	A	115	25.2CT	2.0	Leads	0.188	2.594	4.00	2.25	3.563	---	14.58	12.39	10.99	9.91
553-F-341X	A	115/230	25.2CT	2.0	Leads	0.188	2.594	4.00	2.25	3.563	---	18.51	15.73	13.99	12.59
553-F-56X	A	115	25.2CT	2.8	Leads	0.188	2.656	4.00	2.25	3.563	---	18.78	15.94	14.10	12.69
553-F-40X	A	115	26.8CT	1.0	Leads	0.188	1.938	3.313	2.00	2.813	---	12.00	10.20	9.12	8.16
553-F-340X	A	115/230	26.8CT	1.0	Leads	0.188	2.594	4.00	2.25	2.563	---	17.53	14.87	13.16	11.84
553-F3185U	B	115/230	28.0CT	2.0	Leads	0.203 x 0.375	3.063	2.50	2.438	2.00	2.25	19.02	16.16	14.46	12.93
553-F-54X	A	115	35.0CT	1.5	Leads	0.188	2.594	4.00	2.25	3.563	---	17.62	15.13	13.53	12.11

*-60Hz

Multiple Secondary

*# 553-F243U	B	115	18.0CT	4.0	Lugs	0.203 x 0.375	3.50	4.125	3.25	3.438	2.25	46.27	39.33	34.99	31.46
--------------	---	-----	--------	-----	------	---------------	------	-------	------	-------	------	-------	-------	-------	-------

#-Windings may be connected in series to obtain their combined voltage when properly phased. Current will be equal to the current of the lowest winding.

Example: Two 6.3V windings @ 2A in series would be 12.6V @ 2A. Windings may also be connected in parallel to obtain combined current.

Example: Two 6.3V windings @ 2A in a parallel would be 6.3V @ 4A.

*-60Hz

Primary: 115/230 Volts/Secondaries: 12/24 Volts

MOUSER STOCK NO.	Fig.	Power VA	Secondary Ratings		Connections	Mounting Hole Size (In.)	Dimensions (In.)					Price Each			
			Series	Parallel			H	W	D	MW	MD	1	10	25	50
553-F107Z	C	48	24.0CT @ 2.0A	12.0V @ 4.0A	Lugs	0.188	3.125	3.625	2.375	3.125	---	17.24	14.65	13.10	11.72
553-F108U	B	96	24.0CT @ 4.0A	12.0V @ 8.0A	Lugs	0.203 x 0.375	3.406	2.813	3.188	2.25	2.25	31.53	26.75	23.67	21.31
553-F214U	B	96	48.0CT @ 2.0A	24.0V @ 4.0A	Lugs	0.203 x 0.375	3.406	2.813	3.188	2.25	2.625	31.22	26.35	22.04	20.71
553-F109U	B	192	24.0CT @ 8.0A	12.0V @ 16.0A	Lugs	0.203 x 0.375	4.188	3.438	3.563	2.75	3.00	58.69	49.89	44.60	39.91

PC Mount Single Primary 115V, 50/60Hz, Dual Secondaries

MOUSER STOCK NO.	Fig.	Power VA	Secondary Ratings		Mounting Hole Size (In.)	Dimensions (In.)							Price Each			
			Series	Parallel		H	W	D	L	A	B	MW	1	10	25	50
553-F143XP	D	4.5	30.0V CT @ 0.150A	15.0V @ 0.300A	0.188	1.438	2.375	1.25	1.703	0.406	1.094	2.00	10.83	9.29	8.31	7.43

PC Mount Dual Primary 115/230V, 50/60Hz, Dual Secondaries

553-F3132P	E	1.5	15.0CT @ 0.1A	7.5V @ 0.2A	0.188	1.188	---	1.125	---	1.203	1.00	---	7.40	6.29	5.62	4.99
553-F333P	E	1.5	30.0V CT @ 0.05A	15.0V @ 0.100A	0.188	1.188	---	1.125	---	1.203	1.00	---	8.62	7.33	6.55	5.86
553-F372P	E	24	16.0V CT @ 1.5A	8.0V @ 3.0A	0.188	1.375	---	2.25	1.625	0.25	2.109	---	11.11	9.44	8.44	7.55

Universal, 115 Volts with X Case

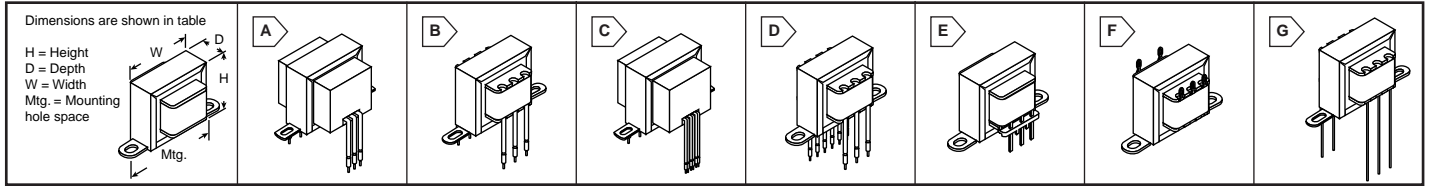
* Hi-pot tested @ 1,500V RMS

MOUSER STOCK NO.	Fig.	Power Voltage	Secondary Ratings		Connections	Mounting Hole Size (In.)	Dimensions (In.)					Price Each			
			AC Volts	DC Amps			H	W	D	MW	MD	1	10	25	50
† 553-F90X	A	115	10-20CT - 40CT	0.1	Lugs	0.188	1.625	1.813	1.625	2.375	---	12.74	10.94	9.78	8.75

†-Tapped primary to produce lower voltages

Power and Variable Transformers

HIQ™ POWER TRANSFORMERS



These Hi-Q power transformers feature 115VAC/60Hz primaries, in six popular outputs. They have 6" color coded leads for positive identification. UL rating on many of these allow for hassle-free design of finished products.

- Lead color coding: primary = black, secondary = red/white
- Hi-pot test voltage: 1500VAC 60Hz for 60 seconds
- Full load voltage tolerance: ±2%
- Coil-to-coil insulation: 200MΩ @ 500VDC
- Voltage regulation: <15%



* As indicated E93874(S)

Heavy Duty Power Transformers

For quantities greater than listed, call for quote.

MOUSER STOCK NO.	Fig.	Secondary		Dimensions (In.)				Price Each		
		Volts	Amps	H	W	D	Mtg.	1	10	100
41FD200	B	6.3CT	.2	1.3	1.5	1.1	1.9	4.06	3.38	3.07
41FD300	B	6.3CT	.3	1.5	1.75	1.3	2.1	4.42	3.69	3.36
41FD600	B	6.3CT	.6	1.72	2.0	1.5	2.35	4.68	3.89	3.54
41LD010	B	6.3CT	1.0	1.67	1.97	1.56	2.37	8.35	7.21	6.56
41FD010	B	6.3CT	1.0	1.65	2.0	1.9	2.4	4.79	3.99	3.63
41FD030	B	6.3CT	3.0	1.95	2.5	1.95	2.8	6.98	5.82	5.29
* 41LF100	A	10.0CT	.1	1.25	1.5	1.2	1.8	5.12	4.28	3.87
* 41LF010	A	10.0CT	1.0	2.01	2.36	2.32	2.82	9.87	9.54	8.68
* 41LF020	A	10.0CT	2.0	2.01	2.36	2.32	2.82	12.06	10.05	9.14
* 41LG100	A	12.6CT	.1	1.25	1.5	1.2	1.8	5.26	4.38	3.99
* 41FG100	B	12.6CT	.1	1.25	1.5	1.0	1.71	2.74	2.28	2.07
* 41FG200	B	12.6CT	.2	1.25	1.5	1.25	1.9	3.43	2.89	2.63
* 41FG300	B	12.6CT	.3	1.65	1.75	1.55	2.1	3.84	3.20	2.91
* 41FG300	A	12.6CT	.3	1.4	1.68	1.5	2.05	6.15	5.13	4.66
* 41FG600	B	12.6CT	.6	1.65	2.1	1.5	2.3	5.18	4.31	3.92
* 41LG600	A	12.6CT	.6	1.75	2.0	1.9	2.4	8.65	7.21	6.56
* 41FG010	B	12.6CT	1.0	1.75	2.1	1.6	2.3	5.85	4.88	4.43
* 41LG010	A	12.6CT	1.0	1.75	2.0	2.1	2.4	9.60	8.26	7.51
* 41LG015	A	12.6CT	1.5	2.02	2.35	2.32	2.72	12.08	10.06	9.14
* 41FG020	B	12.6CT	2.0	2.0	2.35	2.1	2.9	11.29	9.60	8.73
* 41FJ200	B	18.0CT	.2	1.5	1.7	1.4	2.1	4.29	3.59	3.27
* 41FJ300	B	18.0CT	.3	1.5	1.7	1.4	2.1	4.55	3.79	3.44
* 41FJ600	B	18.0CT	.6	1.75	2.0	1.6	2.4	6.49	5.39	4.91
* 41FJ010	B	18.0CT	1.0	1.95	2.4	1.65	2.9	8.28	6.89	6.27
* 41LJ015	A	18.0CT	1.5	2.01	2.36	2.32	2.82	12.24	10.25	9.31
* 41FJ020	B	18.0CT	2.0	2.25	2.63	2.25	3.2	9.36	7.79	7.08
* 41FK200	B	24.0CT	.2	1.5	1.75	1.4	2.1	4.29	3.59	3.27
* 41FK300	B	24.0CT	.3	1.69	1.97	1.5	2.48	4.99	4.17	3.79
* 41FK600	B	24.0CT	.6	1.7	2.0	1.7	2.3	7.44	6.19	5.64
* 41FK010	B	24.0CT	1.0	1.95	2.35	1.9	2.8	8.28	6.89	6.27
* 41LK015	A	24.0CT	1.5	2.01	2.36	2.32	2.82	14.18	11.83	10.74
* 41LK020	A	24.0CT	2.0	2.25	2.7	2.82	3.12	20.58	18.71	16.99
* 41LK100	A	25.2CT	.1	1.5	1.75	1.55	2.1	6.35	5.29	4.81
* 41LK200	A	25.2CT	.2	1.4	1.68	1.65	2.05	6.72	5.69	5.18
* 41LK010	A	25.2CT	1.0	2.0	2.5	2.25	2.8	11.73	10.66	9.69

Dual Secondary Power Transformers

For quantities greater than listed, call for quote.

MOUSER STOCK NO.	Fig.	Dual Secondary Volts	Amps	Dimensions (In.)				Price Each		
				H	W	D	Mtg.	1	10	100
41HG010	C	12.6CT/12.6CT	1.0	1.9	2.35	2.1	2.82	13.67	12.43	11.30
41HK200	C	24.0CT/24.0CT	.2	1.65	2.0	1.85	2.35	8.17	7.43	6.75
41HK010	C	24.0CT/24.0CT	1.0	2.25	2.7	2.82	3.15	22.09	20.08	18.25

Multi-Tapped Power Transformer

Secondary voltages are as shown. 6" leads are color coded for easy identification. The secondary common is black.

- Current rating: .3A
 - Primary rating: 115/220, 50/60Hz
- For quantities greater than listed, call for quote.

MOUSER STOCK NO.	Fig.	Secondary Volts	Dimensions (In.)				Price Each		
			H	W	D	Mtg.	1	10	100
41FW300	D	12.0, 9.0, 6.0, 4.5, 3.0	1.375	1.75	1.5	2.05	3.22	2.68	2.44

Plug in Power Transformers

For quantities greater than listed, call for quote.

MOUSER STOCK NO.	Fig.	Secondary		Dimensions (In.)				Price Each		
		Volts	Amps	H	W	D	Mtg.	1	10	100
41WG100	E	12.6CT	.1	1.25	1.5	1.0	1.8	6.20	4.96	3.93
41WG010	E	12.6CT	1.0	1.65	2.0	1.48	2.35	10.52	8.76	7.97
41WJ300	E	18.0CT	.3	1.41	1.7	1.6	2.05	6.85	5.65	5.13
41WK200	E	24.0CT	.2	1.42	1.7	1.24	2.05	7.46	6.20	5.65

Heavy Duty Power Transformers With Solder Lug Terminals

MOUSER STOCK NO.	Fig.	Secondary Volts	Amps	H	W	D	Mtg.	1	10	100
41CD010	F	6.3CT	1.0	1.69	2.01	1.42	2.4	8.87	8.04	7.31
41CG100	F	12.6CT	.1	1.26	1.44	1.14	1.73	5.24	4.68	4.25
41CG300	F	12.6CT	.3	1.42	1.69	1.34	2.05	6.34	5.46	4.97
41CG020	F	12.6CT	2.0	2.01	2.32	1.89	2.79	12.27	10.22	9.30

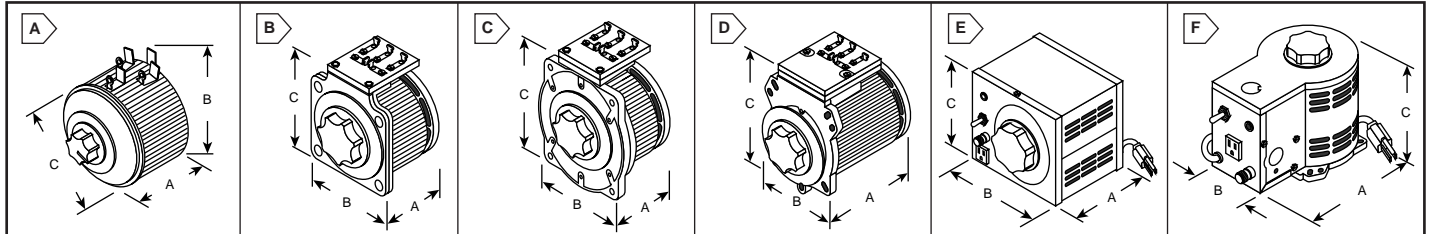
PC Mounting Power Transformers

For quantities greater than listed, call for quote.

MOUSER STOCK NO.	Fig.	Secondary Volts	Amps	H	W	D	Mtg.	1	10	100
41PG006	G	12.6CT	.06	1.05	1.18	1.0	1.65	2.76	2.29	2.09
41PG120	G	12.0CT	.12	1.25	1.5	1.05	1.75	3.34	2.78	2.53
41PG300	G	12.6CT	.3	1.38	1.75	1.25	2.05	3.04	2.53	2.30
41PG600	G	12.6CT	.6	1.75	2.0	1.5	2.36	5.18	4.31	3.92
41PK100	G	24.0CT	.1	1.5	1.75	1.25	2.05	3.44	2.89	2.63
41PK200	G	24.0CT	.2	1.4	1.75	1.33	2.05	4.55	3.79	3.43
41PK600	G	24.0CT	.6	1.75	2.0	1.58	2.4	6.35	5.29	4.81

STACO ENERGY PRODUCTS CO. VARIABLE TRANSFORMERS AC VOLTAGE CONTROLS

DIMENSIONS (IN.)



Open models are for back of panel mounting. Equipped with screw type or solder connection and adaptors for 1/4" push-on connectors. Portable cord and plug models feature ventilated steel case, on-off switch, pilot light, fuse, 3 prong grounded cord with matching receptacle.

Features:

- Non-isolated
- 240V models will operate with either 120V or 240V input
- All models 50/60Hz except 5874-1210 60Hz only

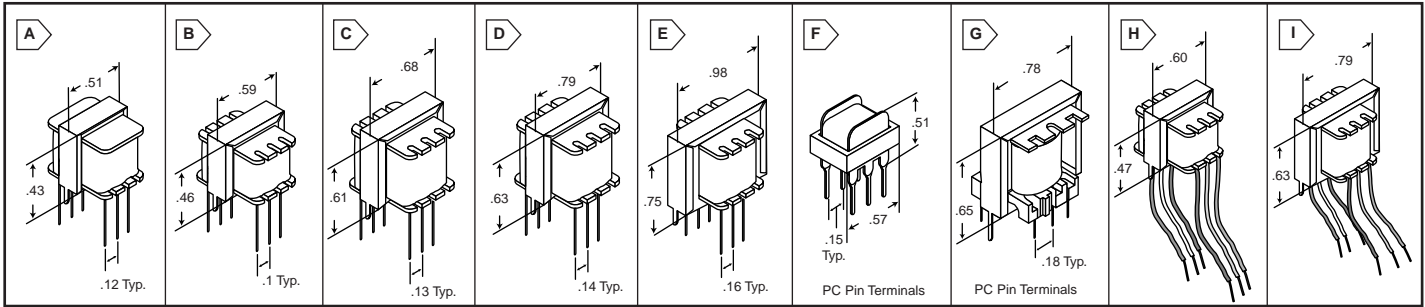


LR18948

MOUSER STOCK NO.	Fig.	Output		Dimensions (In.)			Cross Reference		Price Each	
		Volts	Amps	A	B	C	Superior	Ohmite	1	5
5874-171	A	0-120/132	1.75	1.88	3.28	2.94	10C	VT1	57.00	54.15
5874-221B	A	0-120/132	2.5	2.13	3.28	2.94	10C	---	59.00	56.05
5874-291	A	0-120/132	3	2.31	3.28	2.94	---	VT3	68.00	64.60
5874-501	B	0-120/140	5	3.06	3.75	5.00	21	VT5	106.00	100.70
5874-1520	C	0-240/280	9.5	4.63	6.13	6.81	226U	---	248.00	235.60
5874-1010	D	0-120/140	10	4.16	5.00	6.09	116CU	VT10	129.00	122.55
5874-1020	D	0-240/280	3.5	4.16	5.00	6.09	216CU	VT10H	174.00	165.30
5874-1210	D	0-120	12.0	4.16	5.00	6.09	117CU	VT10	145.00	137.75
5874-3PN501	E	0-120/140	5	4.47	6.06	5.38	---	VT5FC	188.00	178.60
5874-3PN1010	F	0-120/140	10	6.88	3.19	4.44	3PN116C	VT8FC	200.00	190.00

HiQ™ Audio Transformers

DIMENSIONS (IN.)



PC LEADS

* Dual Secondaries

MOUSER STOCK NO.	Fig.	Impedance (Ω)		Resistance (Ω)		Application (Typical)	Price Each		
		Pri.	Sec.	Pri.	Sec.		1	10	100
Microminiature Core Type EI-12, 75mW Max Output									
42TC030	A	100 CT	100 CT	9.12	7.20	Coupling	2.76	2.30	2.09
42TC001	A	500 CT	8 CT	44	1	Output	3.19	2.66	2.42
42TC016	A	600 CT	600 CT	68	55	Coupling	3.19	2.66	2.42
42TC013	A	1K CT	8 CT	55	1	Output	3.19	2.76	2.52
42TC021	A	4.0K CT	600 CT	173	45.5	Coupling	3.00	2.50	2.27
42TC019	A	10K CT	600 CT	375	62.6	Coupling	3.07	2.56	2.33
Ultraminiature Core Type EI-14, 75mW Max Output									
42TL030	B	100 CT	100 CT	10.9	9.10	Coupling	1.58	1.32	1.20
42TL004	B	200 CT	8 CT	12	1	Output	1.60	1.38	1.25
42TL023	B	300 CT	600 CT	30	35	Coupling	1.60	1.38	1.25
42TL001	B	500 CT	8 CT	35	1	Output	1.52	1.38	1.25
42TL026	B	500 CT	16 CT	43	1.9	Output	1.74	1.45	1.32
42TL009	B	500 CT	500 CT	40	38	Interstage	1.57	1.38	1.25
42TL031	B	600 CT	100 CT	42.8	20.2	Coupling	1.69	1.39	1.26
42TL016	B	600 CT	600 CT	65	55	Coupling	1.52	1.38	1.25
42TL020	B	600 CT	900 CT	36	50	Coupling	1.60	1.38	1.25
42TL008	B	800 CT	8 CT	40	1	Output	1.52	1.38	1.25
42TL013	B	1K CT	8 CT	60	1	Output	1.52	1.38	1.25
42TL027	B	1K CT	2K CT	130	140	Coupling	1.57	1.38	1.25
42TL003	B	1.2K CT	8 CT	80	1	Output	1.52	1.38	1.25
42TL011	B	1.5K CT	500 CT	120	55	Interstage	1.57	1.38	1.25
42TL022	B	1.5K CT	600 CT	125	55	Coupling	1.60	1.38	1.25
42TL021	B	4K CT	600 CT	148	64	Coupling	1.52	1.38	1.25
42TL018	B	7K CT	10K CT	400	385	Interstage	2.05	1.71	1.55
42TL024	B	10K CT	500 CT	530	136	Coupling	2.09	1.74	1.58
42TL019	B	10K CT	600 CT	450	100	Coupling	2.09	1.74	1.58
42TL002	B	10K CT	2K CT	500	200	Driver	1.82	1.59	1.44
42TL012	B	10K CT	5K CT	900	500	Interstage	2.46	2.05	1.86
42TL218	B	10K CT	10K CT	715	583	Interstage	2.16	1.80	1.64
42TL025	B	17K CT	1K CT	693	146	Coupling	2.16	1.80	1.64
42TL017	B	20K CT	600 CT	693	66	Coupling	1.90	1.59	1.44
42TL006	B	20K CT	1K CT	600	110	Interstage	1.93	1.61	1.47
Dual Secondary Ultraminiature Core Type EI-14, 75mW Max Output									
*42TL028	B	600 CT	600/600	72	56/56	Coupling	1.82	1.56	1.41
Micro-Subminiature Core Type EI-16, 100mW Max Output									
42MC001	C	500 CT	8 CT	80	3.5	Output	1.93	1.61	1.47
42MC009	C	500 CT	500 CT	30	28	Interstage	1.93	1.61	1.47
42MC003	C	1.2K CT	8 CT	80	1	Output	1.89	1.56	1.43
Core Type EI-19, 200mW Max Output									
42TM030	D	100 CT	100 CT	9.25	7.80	Coupling	1.68	1.40	1.27
42TM004	D	200 CT	8 CT	12	1	Output	1.93	1.61	1.47
42TM010	D	350 CT	8 CT	20	1	Output	1.93	1.61	1.47
42TM118	D	400 CT	8 CT	40	1	Output	1.93	1.61	1.47
42TM001	D	500 CT	8 CT	26	1	Output	1.91	1.52	1.38
42TM026	D	500 CT	16 CT	50	5	Output	1.93	1.61	1.47
42TM009	D	500 CT	500 CT	50	40	Interstage	1.91	1.52	1.38
42TM031	D	600 CT	100 CT	30.1	14.3	Coupling	1.83	1.53	1.39
42TM023	D	600 CT	300 CT	55	30	Coupling	1.93	1.61	1.47
42TM016	D	600 CT	600 CT	65	55	Coupling	1.91	1.52	1.38
42TM020	D	600 CT	900 CT	36	50	Coupling	1.93	1.61	1.47
42TM008	D	800 CT	8 CT	40	1	Output	1.93	1.61	1.47
42TM013	D	1K CT	8 CT	75	1	Output	1.91	1.52	1.38
42TM027	D	1K CT	2K CT	85	85	Coupling	1.93	1.61	1.47
42TM003	D	1.2K CT	8 CT	80	1	Output	1.91	1.52	1.38
42TM011	D	1.5K CT	500 CT	120	50	Interstage	1.93	1.61	1.47
42TM022	D	1.5K CT	600 CT	65	45	Coupling	1.93	1.61	1.47
42TM021	D	4K CT	600 CT	244	77	Coupling	1.93	1.61	1.47
42TM114	D	4.6K CT	20 CT	300	2	Input	2.32	1.93	1.76
42TM113	D	8K	3K CT	300	200	Driver	2.41	2.01	1.83
42TM024	D	10K CT	500 CT	550	150	Coupling	2.32	1.93	1.76

PC LEADS

* Dual Secondaries

MOUSER STOCK NO.	Fig.	Impedance (Ω)		Resistance (Ω)		Application (Typical)	Price Each		
		Pri.	Sec.	Pri.	Sec.		1	10	100
Core Type EI-19, 200mW Max Output									
42TM019	D	10K CT	600 CT	600	100	Coupling	2.36	1.96	1.78
42TM002	D	10K CT	2K CT	600	155	Driver	2.41	2.01	1.83
42TM012	D	10K CT	5K CT	900	500	Interstage	2.55	2.13	1.93
42TM018	D	10K CT	10K CT	550	500	Interstage	2.36	1.89	1.72
42TM025	D	17K CT	1K CT	700	150	Coupling	2.64	2.20	2.00
42TM006	D	20K CT	1K CT	900	70	Interstage	2.41	2.01	1.83
42TM017	D	25K CT	600 CT	1000	80	Coupling	2.64	2.20	2.00
42TM117	D	50K CT	1K CT	1.2K	42	Input	2.64	2.20	2.00
Dual Secondary Core Type EI-19, 200mW Max Output									
*42TM028	D	600 CT	600/600	78	65/60	Coupling	2.64	2.20	2.00
Miniature Core Type EI-24, 400mW Max Output									
42TU048	E	48 CT	8 CT	2.5	.5	Output	2.55	2.20	2.01
42TU120	E	120 CT	8CT	7	.7	Output	2.64	2.30	2.10
42TU200	E	200 CT	8 CT	12	.5	Output	2.64	2.30	2.10
42TU400	E	500 CT	8 CT	18	.7	Output	2.54	2.30	2.10
42TU500	E	500 CT	500 CT	35	28	Interstage	2.64	2.30	2.10
42TU016	E	600 CT	600 CT	65	55	Coupling	2.43	2.20	2.01
42TU008	E	800 CT	8 CT	40	1	Output	2.64	2.30	2.10
42TU013	E	1K CT	8 CT	75	1	Output	2.64	2.30	2.10
42TU003	E	1.2K CT	8 CT	75	1	Output	2.64	2.30	2.10
42TU011	E	1.5K CT	500 CT	120	50	Interstage	2.64	2.30	2.10
42TU019	E	10K CT	600 CT	600	100	Coupling	2.64	2.30	2.10
42TU002	E	10K CT	2K CT	600	155	Driver	2.64	2.30	2.10
42TU012	E	10K CT	5K CT	425	220	Interstage	2.64	2.30	2.10

PC Pin Terminals

Microminiature Core Type EI-14, 75mW Max Output									
42XL001	F	500 CT	8 CT	35	1	Output	2.99	2.29	2.06
42XL009	F	500 CT	500 CT	40	38	Interstage	2.99	2.29	2.06
42XL031	F	600 CT	100 CT	74	28	Coupling	2.40	2.00	1.82
42XL016	F	600 CT	600 CT	65	55	Coupling	2.99	2.29	2.06
42XL003	F	1.2K CT	8 CT	80	1	Output	2.99	2.29	2.06
42XL002	F	10K CT	2K CT	580	200	Driver	2.99	2.29	2.06
Micro-Subminiature Core Type EI-19, 100mW Max Output									
42XM016	G	600 CT	600 CT	65	55	Coupling	3.14	2.62	2.39
42XM012	G	10K CT	5K CT	900	500	Interstage	2.89	2.41	2.19

Dual Secondaries with PC Leads

Core Type EI-19, 200mW Max Output									
42XL028	D	600 CT	600/600	78	65/60	Coupling	2.64	2.20	2.00
Ultraminiature Core Type EI-14, 75mW Max Output									
42TL028	B	600 CT	600/600	78	56/56	Coupling	1.82	1.56	1.41

2 1/4" Leads

Ultraminiature Core Type EI-14, 75mW Max Output									
42KL001	H	500 CT	8 CT	36	1	Driver	2.16	1.82	1.65
42KL002	H	10K CT	2K CT	500	200	Driver	2.53	2.11	1.91

2" Leads

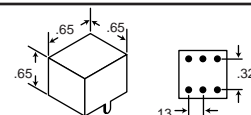
Subminiature Core Type EI-19, 200mW Max Output									
42KM001	I	500 CT	8 CT	20	1	Output	2.53	2.11	1.91
42KM008	I	800 CT	8 CT	40	1	Output	2.16	1.82	1.65
42KM014	I	1K CT	8 CT	40	.8	Output	2.53	2.11	1.91
42KM003	I	1.2K CT	8 CT	80	1	Output	2.53	2.11	1.91
42KM002	I	10K CT	2K CT	570	155	Driver	2.69	2.24	2.04
42KM006	I	18K CT	1K CT	900	70	Driver	2.69	2.24	2.04
42KM019	I	20K CT	4 CT	1000	.5	Output	2.39	1.99	1.81

SHIELDED AUDIO TRANSFORMERS

Epoxy encapsulated. Metal shielded to reduce magnetic cross coupling and electrostatic fields.

MOUSER STOCK NO.	Impedance (Ω)		Resistance (Ω)		Price Each		
	Primary	Secondary	Primary	Secondary	1	10	100
429-7201	500 CT	8 CT	35	1	3.79	3.09	2.81
429-7209	500 CT	500 CT	40	38	3.79	3.09	2.81
429-7216	600 CT	600 CT	65	55	3.79	3.09	2.81

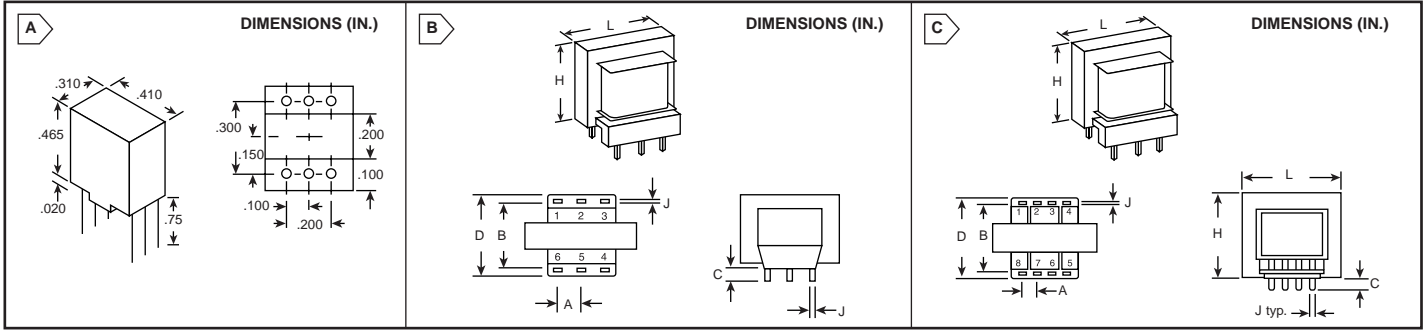
DIMENSIONS (IN.)



MOUSER STOCK NO.	Impedance (Ω)		Resistance (Ω)		Price Each		
	Primary	Secondary	Primary	Secondary	1	10	100
429-7218	7K CT	10K CT	400	385	3.79	3.09	2.81
429-7202	10K CT	2K CT	580	200	3.79	3.09	2.81

Audio Transformers

Magnetics MINIATURE AUDIO TRANSFORMERS



Red Spec High-Reliability Audio Transformers

Features:

- Impedance matching: 10% over frequency range
- Hi-pot tested at 1000 VRMS
- Meets MIL-T-27D
- MIL Type: TF5S21ZZ (transformers) TF5S20ZZ (chokes)

MOUSER STOCK NO.	Fig.	Impedance		DC Resistance		Power (mW)	Working Voltage	Frequency Response	Price Each						
		Primary (Ω)	Secondary (Ω)	Primary (Ω)	Secondary (Ω)				1	10	25	50	100		
553-SP4	A	200K CT	1K CT	5300	100	10	150VDC	300Hz-50KHz	21.29	17.99	16.18	14.48	Call For Quote		
553-SP5	A	50K CT	1K CT	3800	75	25	150VDC	300Hz-50KHz	21.14	17.97	15.99	14.38			
553-SP20	A	10K CT	1.2K CT	1050	200	50	150VDC	300Hz-50KHz	20.84	17.71	15.84	14.17			
553-SP21	A	10K CT	2K CT	1050	330	50	150VDC	300Hz-50KHz	21.21	17.99	16.12	14.42			
553-SP22	A	10K	2K CT/500§	1050	146/168§	50	150VDC	300Hz-50KHz	21.69	18.44	16.48	14.75			
553-SP29	A	10K CT	500 CT	1050	80	50	150VDC	300Hz-50KHz	20.01	16.99	15.21	13.61			
553-SP33	A	1K	50	145	8.0	50	150VDC	300Hz-50KHz	17.25	14.66	13.11	11.73			
553-SP42	A	150 CT	12	18	2.7	50	150VDC	300Hz-50KHz	15.51	13.18	11.79	10.55			
553-SP48	A	7.5K CT	12	796	2.9	50	150VDC	300Hz-50KHz	18.39	15.63	13.98	12.51			
553-SP49	A	300	600	41	98	50	150VDC	300Hz-50KHz	21.98	18.68	16.70	14.95			
553-SP50	A	500 CT	600	67	98	50	150VDC	300Hz-50KHz	16.31	13.86	12.39	10.99			
553-SP51	A	900 CT	600	104	96	50	150VDC	300Hz-50KHz	19.12	16.25	14.53	12.99			
553-SP52	A	1.5K CT	600	168	92	50	150VDC	300Hz-50KHz	21.29	17.99	16.18	14.48			
553-SP66	A	10K CT	10K CT	1000	1300	50	150VDC	300Hz-50KHz	16.93	14.39	12.87	11.51			
553-SP67	A	600 CT	600 CT	72	92	50	150VDC	300Hz-50KHz	18.64	15.84	14.17	12.68			
553-SP68	A	10K	10K CT/2.5K§	1000	565/650§	50	150VDC	300Hz-50KHz	22.33	18.98	16.97	15.18			
553-SP69	A	600	600 CT/150§	72	40/45§	50	150VDC	300Hz-50KHz	18.56	15.78	14.11	12.62			
553-SP70	A	600	600	72	92	50	150VDC	300Hz-50KHz	17.48	14.86	13.28	11.89			
Choke										Call For Quote					
553-SP128	A	0.1 HY	---	15.0	---	---	150VDC	300Hz-50KHz	11.81						9.99
Shield										Call For Quote					
553-SP310	A	---	---	---	---	---	---	---	2.76						2.35

§ = Split winding

TY Series Plug-In PC Audio Transformers

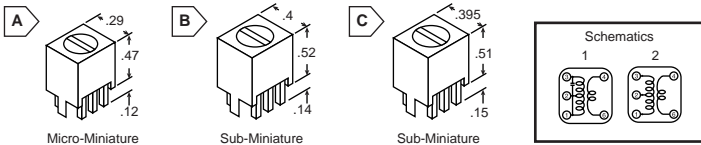
Features:

- Impedance matching: 10% over frequency range

MOUSER STOCK NO.	Fig.	Power	Impedance		Primary Current (mA)	Frequency Response	Dimensions (In.)							Price Each				
			Primary (Ω)	Secondary (Ω)			H	D	L	A	B	C	J	1	10	25	50	100
553-TY141P	B	100mW	10K CT	10K CT	4	200-15KHz	.625	.594	.813	.188	.422	.188	.042	3.89	3.31	2.96	2.65	Call For Quote
553-TY142P	B	100mW	10K CT	2K CT	4	200-15KHz	.625	.594	.813	.188	.422	.188	.042	3.89	3.31	2.96	2.65	
553-TY144P	B	100mW	15K CT	15K CT	4	200-15KHz	.625	.594	.813	.188	.422	.188	.042	3.89	3.31	2.96	2.65	
553-TY145P	B	100mW	600 CT	600 CT	15	200-15KHz	.625	.594	.813	.188	.422	.188	.042	3.89	3.31	2.96	2.65	
553-TY146P	C	1 watt	600 CT/150§	600 CT/150§	---	200-15KHz	1.125	1.125	1.375	.203	1.031	.188	.042	7.22	6.14	5.49	4.91	

§ = Split winding

I.F. TRANSFORMERS



Micro-Miniature PC Mounting

For quantities greater than listed, call for quote.

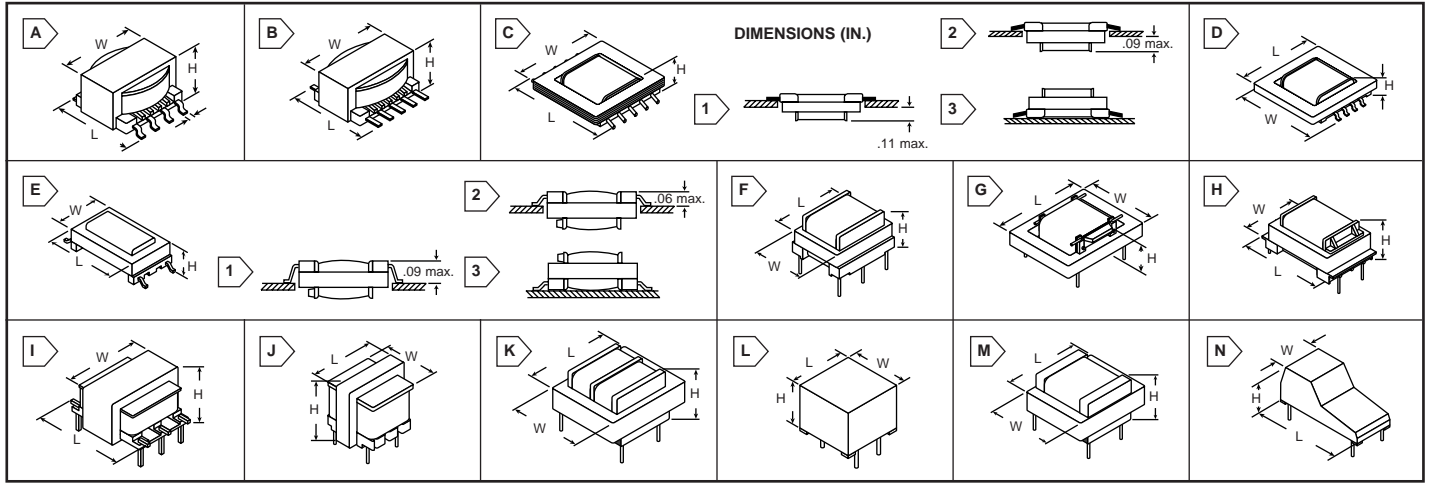
MOUSER STOCK NO.	Fig.	Impedance Pri : Sec	Application (Typical)	Cap Color	Schem.	Turns Ratio Pri : Sec	Price Each			
							1	10	100	500
455KHz										
421F201	A	50K : 500	1st IF	Yel	1	22 : 1	1.37	1.14	1.03	.94
421F202	A	30K : 500	2nd IF	White	1	22 : 1	1.37	1.14	1.03	.94
421F203	A	20K : 5K	3rd IF	Black	1	8 : 1	1.37	1.14	1.03	.94
796KHz										
421F200	A	Osc.	Tuning	Red	2	12 : 1	1.37	1.14	1.03	.94
10.7MHz										
421F222	A	1K : 300	2nd & 3rd IF	Org	1	8 : 1	1.42	1.18	1.07	.98
421F223	A	25K : 1K	1st IF	Green	1	8 : 1	1.42	1.18	1.07	.98
Variable Frequency (Capacitor-less)										
421F224	A	15K : 300	2nd & 3rd IF	Org	2	8 : 1	1.37	1.14	1.03	.94

Sub-Miniature PC Mounting

For quantities greater than listed, call for quote.

MOUSER STOCK NO.	Fig.	Impedance Pri : Sec	Application (Typical)	Cap Color	Schem.	Turns Ratio Pri : Sec	Price Each			
							1	10	100	500
455KHz										
421F101	C	60K : 600	1st IF	Yel	1	22 : 1	.79	.71	.65	.60
421F301	B	50K : 500	1st IF	Yel	1	20 : 1	1.30	1.09	.99	.90
421F102	C	30K : 500	2nd IF	White	1	22 : 1	.79	.71	.65	.60
421F302	B	30K : 500	2nd IF	White	1	22 : 1	1.30	1.09	.99	.90
421F103	C	20K : 6K	3rd IF	Black	1	6 : 1	.79	.71	.65	.60
421F303	B	20K : 5K	3rd IF	Black	1	7 : 1	1.30	1.09	.99	.90
796KHz										
421F300	B	Osc.	Tuning	Red	2	10 : 1	1.30	1.09	.99	.90
421F100	C	Osc.	Tuning	Red	2	13 : 1	.79	.71	.65	.60
421F110	C	Osc.	Tuning	Red	2	35 : 1	.63	.57	.52	.48
10.7 MHz										
421F122	C	15K : 300	2nd & 3rd IF	Brown	1	14 : 1	.79	.71	.65	.60
421F129	C	15K : 100	2nd & 3rd IF	Black	1	18 : 1	.79	.71	.65	.60
421F123	C	25K : 4K	1st IF	Green	1	7 : 1	.79	.71	.65	.60
Variable Frequency (Capacitor-less)										
421F104	C	50K : 500	1st IF	Yel	2	22 : 1	.79	.71	.65	.60
421F106	C	20K : 5K	3rd IF	Black	2	6 : 1	.79	.71	.65	.60
421F124	C	15K : 300	2nd & 3rd IF	Org	2	14 : 1	.63	.57	.52	.48

Atech Communication Transformers and Modules



PCMCIA / SURFACE MOUNT MODEM TRANSFORMERS

For quantities greater than listed, call for quote.

MOUSER STOCK NO.	Fig.	Impedance		Insertion Loss dB	Resistance (Ω)		Dielectric Strength	Crosses	Dimensions (In.)			Price Each		
		Pri.	Sec.		Pri.	Sec.			L	W	H	1	10	25
421-ATS033	A	600	600	1.0	55	43	1500	Midcom 671-8234	.492	.394	.228	6.48	5.40	4.91
421-ATS065	A	600	445	1.4	63	86	1500	Midcom 671-8258	.689	.610	.307	8.45	7.04	6.40
421-ATS084	B	600	445	1.4	63	86	1500	Midcom 671-8258	.689	.610	.284	8.45	7.04	6.40
421-ATS107	C1	600	295	3.15	160	145	1500	Midcom 671-8274	.807	.650	.165	7.39	6.16	5.60
421-ATS108	C2	600	295	3.15	160	145	1500	Midcom 671-8274	.80	.650	.165	7.39	6.16	5.60
421-ATS113	C3	600	295	3.15	160	145	1500	Midcom 671-8274R	.80	.650	.165	7.10	5.92	5.38
421-ATS125	D	600	348	2.6	132	132	1500	Midcom 671-8269	.709	.669	.236	6.44	5.28	4.80
421-ATS158A	E1	600	348	2.6	136	128	1250	-----	.417	.315	.169	6.59	5.49	4.99
421-ATS168	E2	600	348	2.6	136	128	1250	-----	.417	.315	.169	7.15	5.89	5.39
421-ATS169	E3	600	348	2.6	136	128	1250	-----	.417	.315	.173	6.89	5.75	5.25

POCKET/LAPTOP MODEM TRANSFORMERS

• Pin-compatible to allow upgrading to higher modem speeds • Small size, suitable for laptop and pocket modems

For quantities greater than listed, call for quote.

MOUSER STOCK NO.	Fig.	Impedance	Insertion Loss dB	DC Current mA	Resistance (Ω)	Dielectric Strength	Crosses	Dimensions (In.)	Price Each					
		Pri.	Sec.		Pri.	Sec.		L	W	H	1	10	25	
421-ATS007	F	600	600	1.3	55	65	3750	Midcom 671-8240	.539	.539	.429	5.43	4.53	4.11
421-ATS081	F	600	600	1.15	52	75	1500	Midcom 671-8255	.539	.539	.429	6.34	5.28	4.80
421-ATS082	F	600	442	1.9	86	91	3750	Midcom 671-8265	.539	.539	.429	6.34	5.28	4.80
421-ATS088	F	600	442	1.8	80	87	1500	Midcom 671-8264	.539	.539	.429	6.34	5.28	4.80
421-ATS119	F	600	324	2.9	140	140	1500	Midcom 671-8300	.539	.539	.429	7.25	6.04	5.49
421-ATS134	F	600	301	3.2	150	150	3750	Midcom 671-8291	.539	.539	.429	7.66	6.38	5.80

LOW PROFILE MODEM TRANSFORMERS

For quantities greater than listed, call for quote.

MOUSER STOCK NO.	Fig.	Impedance	Insertion Loss dB	DC Current mA	Resistance (Ω)	Dielectric Strength	Crosses	Dimensions (In.)	Price Each					
		Pri.	Sec.		Pri.	Sec.		L	W	H	1	10	25	
421-ATS124	G	600	374	2.0	108	120	1500	Midcom 671-8031	1.024	.906	.472	5.74	4.78	4.35
421-ATS126	G	600	374	2	108	120	1500	Midcom 671-8025	1.024	.906	.472	4.84	4.03	3.66
421-ATS128	G	600	301	3.0	150	150	1500	Midcom 671-8039	1.024	.906	.472	6.49	5.41	4.92
421-ATS138	G	600	470	2.0	108	120	1250	-----	.906	.906	.472	2.36	1.97	1.79

THRU HOLE MODEM TRANSFORMERS

MOUSER STOCK NO.	Fig.	Impedance	Insertion Loss dB	DC Current mA	Resistance (Ω)	Dielectric Strength	Crosses	Dimensions (In.)	Price Each						
		Pri.	Sec.		Pri.	Sec.		L	W	H	1	10	25		
421-ATS001	H	600	600	1.7	80	78	105	1500	-----	1.181	.767	.532	2.75	2.29	2.09
421-ATS003	H	600	600	2.7	80	147	104	3750	-----	1.181	.767	.496	2.49	2.08	1.89
421-ATS030	H	600	600	1.7	90	75	100	1500	Tamura TTC-143	1.181	.767	.532	5.22	4.35	3.95
421-ATS037	I	600	530	.85	0	45	45	1500	Midcom 671-1538	1.103	.780	.469	7.39	6.16	5.60
421-ATS040	J	600	600	.8	0	40	50	1500	-----	.787	.689	.709	4.29	3.58	3.25
421-ATS075	K	600	600	1.0	0	25	25	3750	-----	.772	.661	.394	5.99	4.99	4.55
421-ATS079	L	600	560	1.3	0	65	65	4000	-----	.713	.713	.55	6.98	5.82	5.29
421-ATS079A	L	600	560	1.3	0	65	65	4000	-----	.713	.713	.492	7.25	6.04	5.49
421-ATS079B	K	600	560	1.3	0	65	65	4000	-----	.650	.650	.472	6.35	5.29	4.81
421-ATS091	L	600	560	1.15	0	65	65	4000	-----	.713	.713	.55	7.29	6.08	5.53
421-ATS091A	L	600	560	1.15	0	65	65	3750	-----	.650	.650	.472	6.69	5.57	5.06
421-ATS091B	K	600	560	1.15	0	65	65	4000	-----	.713	.713	.492	7.49	6.21	5.64
421-ATS099	L	600	600	1.5	0	66	66	4000	-----	.697	.692	.413	6.99	5.83	5.30
421-ATS100	K	600	560	1.15	0	65	65	3750	-----	.768	.650	.472	6.52	5.43	4.94
421-ATS117	M	600	402	2	0	115	91	1500	-----	.650	.650	.472	7.34	6.12	5.56
421-ATS127	I	600	361	2.5	0	120	120	1500	Midcom 671-8262	1.102	.780	.469	7.84	6.53	5.94
421-ATS129	H	600	464	1.9	70	80	100	1500	Midcom 671-8273	1.181	.767	.532	5.74	4.78	4.35

TELECOMMUNICATIONS TRANSFORMERS

For quantities greater than listed, call for quote.

MOUSER STOCK NO.	Fig.	Impedance	Insertion Loss dB	DC Current mA	Resistance (Ω)	Dielectric Strength	Crosses	Dimensions (In.)	Price Each						
		Pri.	Sec.		Pri.	Sec.		L	W	H	1	10	25		
421-ATS063	J	600	600	0.8	0	37	51	1250	Midcom 671-8205	.799	.591	.717	4.90	4.08	3.71
421-ATS080	H	600S	525	1.6	90	75	100	1500	Midcom 671-1561	1.181	.767	.496	4.76	3.96	3.60
421-ATS111	L	12K	2.6K	1.0	0	450	135	3750	P1727 compatible	.717	.717	.551	7.99	6.67	6.06

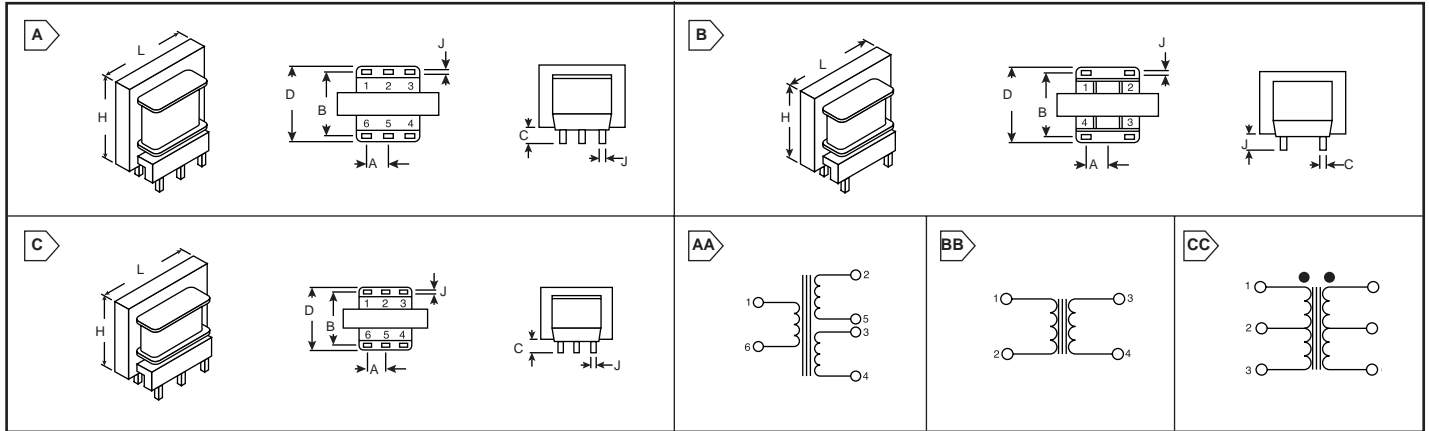
MODEM MODULES

• Transformer with built-in DC bypass circuit • Longitudinal balance: 75dB min 200 - 4KHz • Max DC voltage: @ 80mA - 9.5V, @ 120mA - 12.5V

For quantities greater than listed, call for quote.

MOUSER STOCK NO.	Fig.	Impedance	Insertion Loss dB	Dielectric Strength	Application	Dimensions (In.)	Price Each				
		Pri.	Sec.			L	W	H	1	10	25
421-ATM002	N	600	600	1.4	3750VRMS	1.181	.583	.512	10.60	9.64	8.76
421-ATM007	N	600	470	2.0	1500VRMS	1.181	.583	.512	11.19	10.18	9.25
421-ATM014	N	600	316	2.95	1500VRMS	1.181	.583	.512	12.25	11.13	10.12

Telephone Coupling Transformers



Magnetek TY SERIES TELEPHONE COUPLING TRANSFORMERS

• Complies with FCC rules part 68

• Power level: -45dBm to +7dBm

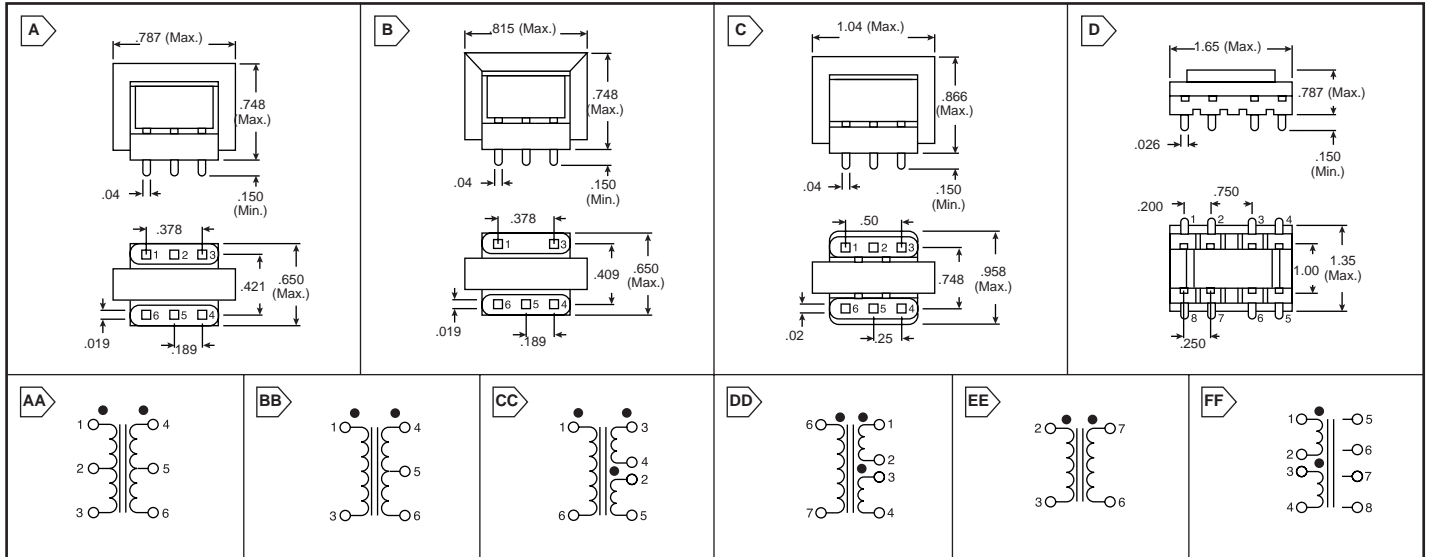
For quantities greater than listed, call for quote.

MOUSER STOCK NO.	Fig.	Schematic	Impedance		Application	Frequency Response	Dimensions (in.)						Price Each				
			PRI (Ω)	SEC (Ω)			H	D	L	A	B	C	J	1	10	25	50
553-TY300P	A	AA	600	600/600	Hybrid *	300 - 3500Hz ± 0.5dB	.625	.547	.750	.188	.422	.203	.041	5.56	4.73	4.23	3.78
553-TY302P	A	AA	600	600/600	Hybrid *	300 - 3500Hz ± 0.5dB	1.00	.938	1.00	.203	.781	.203	.041	8.33	6.99	6.33	5.66
553-TY303P	B	BB	4K	600	Bridging	300 - 3500Hz ± 0.5dB	.625	.547	.750	.375	.422	.203	.041	5.56	4.73	4.23	3.78
553-TY304P	C	CC	600CT	600CT	Coupling	300 - 3500Hz ± 0.5dB	.625	.547	.750	.188	.422	.188	.041	5.56	4.73	4.23	3.78

* 2 units required for hybrid operation

HiQ MAGNETICS TELEPHONE COUPLING TRANSFORMERS

Manufactured to meet production requirements for standard telephone interconnection, & line isolation and impedance matching.



Transformers

• Frequency response: 300 to 3500 Hz

For quantities greater than listed, call for quote.

MOUSER STOCK NO.	Fig.	Schematic	Impedance		DC Current (mA)	Insertion Loss (Max. dB)	Price Each		
			PRI (Ω)	SEC (Ω)			1	10	50
420-8801	A	AA	600CT	600CT	0	1.5	4.15	3.45	3.14
420-8806	B	BB	600	600CT	90	2.5	4.15	3.45	3.14
420-8809	C	CC	600	600/600	0	1.2	6.22	5.18	4.71
420-TT10	A	AA	600CT	900CT	0	1.5	5.39	4.49	4.09
420-8814	D	DD	600	300/300	75	1.3	7.15	6.35	5.99
420-8815	D	EE	600	600	80	2.5	7.49	6.65	6.25

Holding Coil

Specifications:

- Dielectric strength: 1500Vrms, 60Hz, 3mA, 60 sec.
- Varnish impregnation
- Pin-for-pin compatible with Stancor TTPC series

Features:

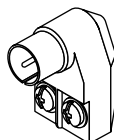
- For interconnecting data/voice
- Modem terminal to telephone lines
- Designed to meet FCC part 68

MOUSER STOCK NO.	Fig.	Schematic	Inductance (H)	IDC (mA)	Price Each			
					1	10	50	100
420-8817	D	FF	1.4	120	10.29	9.35	8.49	Call

TV/FM/VCR MATCHING TRANSFORMER

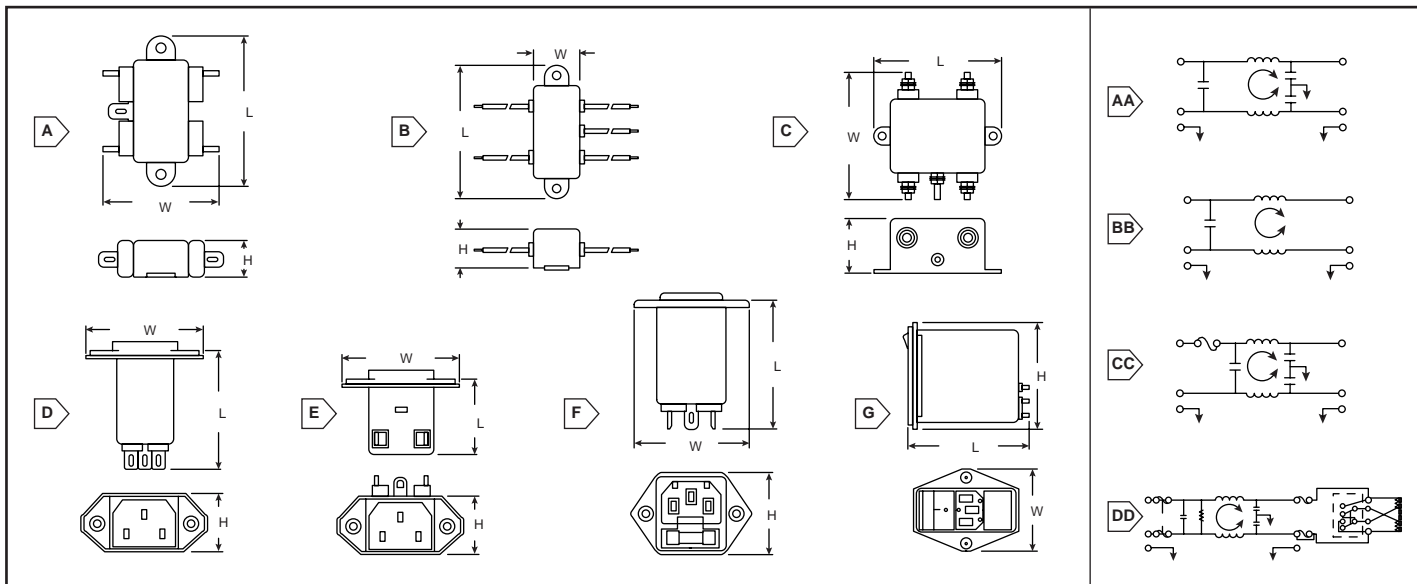
Features:

- TV/FM matching transformer for TV and VCR, provides 75Ω output from 300Ω input.
- Push-on "F" connector



For quantities greater than listed, call for quote.

MOUSER STOCK NO.	Price Each			
	1	10	100	500
420-1000	1.42	1.30	1.18	1.07



GENERAL PURPOSE COMMON MODE FILTERS

Designed to economically suppress line-to-ground interference and built to meet or exceed most international safety agency standards and requirements.

Specifications:

- Maximum leakage current each line-to-ground @ 115VAC 60Hz: .25mA @ 250VAC 50Hz: .45mA
- Rated voltage: 115/250VAC
- Hipot rating (one minute) line-to-ground: 2250VDC; line-to-line: 1450VDC
- Operating frequency: 50-60Hz



Use Circuit Diagram AA

For quantities greater than listed, call for quote.

MOUSER STOCK NO.	Fig.	Corcom Number	Inductance	Rated Current @ 250VAC	Dimensions (In.)			Price Each		
					H	L	W	1	25	50
562-851-02/1	A	2VB1/2EB1	1.1mH	2A	.65	2.54	2.15	5.29	4.96	4.80
562-851-03/3	A	3VB1/3EB1	2.8mH	3A	.77	2.50	2.54	6.44	6.03	5.84
562-851-03/4	B	3VB3/3EB3	2.8mH	3A	.77	2.50	1.33	6.07	5.69	5.50
562-851-05/5	A	5VB1/5EB1	2.9mH	5A	.77	2.50	2.54	5.95	5.57	5.39
562-851-05/6	B	5VB3/5EB3	2.9mH	5A	.77	2.50	1.33	6.50	6.10	5.89
562-851-10/7	A	10VB1/10EB1	1.5mH	10A	1.18	2.50	2.54	7.69	7.21	6.96
562-851-10/9	C	10VBG	1.5mH	10A	1.18	2.77	3.10	10.35	9.70	9.38
562-851-20/11	C	20VBG	0.7mH	20A	1.15	2.77	3.37	11.42	10.71	10.35

*Leads without Fastons

**Stud Terminals without Fastons

HIGH PERFORMANCE IEC CONNECTOR FILTERS

Provide effective EMI suppression of line-to-ground and low frequency line-to-line noise.

Specifications:

- Maximum leakage current each line-to-ground @ 115VAC 60Hz: .25mA @ 250VAC 50Hz: .45mA
- Rated voltage: 115/250VAC
- Hipot rating (one minute) line-to-ground: 2250VDC; line-to-line: 1450VDC
- Operating frequency: 50-60Hz



Use Circuit Diagram AA

For quantities greater than listed, call for quote.

MOUSER STOCK NO.	Fig.	Corcom Number	Inductance	Rated Current @ 250VAC	Dimensions (In.)			Price Each		
					H	L	W	1	25	50
562-858-01/3	D	1EEB1	6.5mH	1A	.88	2.12	1.58	5.64	5.28	5.11
562-858-03/7	D	3EEB1	2.5mH	3A	.88	2.12	1.58	4.80	4.50	4.35
562-858-06/11	D	6EEB1	.8mH	6A	.88	2.12	1.58	4.80	4.50	4.35
562-858-10/15	D	10EEB1	.2mH	10A	.88	2.12	1.58	4.80	4.50	4.35

GENERAL PURPOSE FUSED IEC CONNECTOR FILTERS

Designed for one 5mm x 20mm fuse and a spare fuse with a safety interlock that prevents fuse removal with power cord inserted.

Specifications:

- Maximum leakage current each line-to-ground @ 115VAC 60Hz: .25mA @ 250VAC 50Hz: .45mA
- Rated voltage: 115/250VAC
- Hipot rating (one minute) line-to-ground: 2250VDC; line-to-line: 1450VDC
- Operating frequency: 50-60Hz



Use Circuit Diagram CC

For quantities greater than listed, call for quote.

MOUSER STOCK NO.	Fig.	Inductance	Rated Current @ 250VAC	Dimensions (In.)			Price Each		
				H	L	W	1	25	50
562-860-02/1	F	2.4mH	2A	1.29	2.54	1.73	10.88	10.20	9.86
562-860-04/3	F	2.8mH	4A	1.29	2.23	1.73	10.88	10.20	9.86
562-860-06/5	F	1.3mH	6A	1.29	2.54	1.73	9.79	9.18	8.87

MEDICAL FILTERS

Provide very low leakage current meeting medical and dental equipment requirements for UL544.

Specifications:

- Maximum leakage current each line-to-ground @ 115VAC 60Hz: 2uA @ 250VAC 50Hz: 5uA
- Rated voltage: 115/250VAC
- Hipot rating (one minute) line-to-ground: 2250VDC; line-to-line: 1450VDC
- Operating frequency: 50-60Hz



Use Circuit Diagram BB

For quantities greater than listed, call for quote.

MOUSER STOCK NO.	Fig.	Corcom Number	Inductance	Rated Current @ 250VAC	Dimensions (In.)			Price Each		
					H	L	W	1	25	50
562-857-01/37	D	1EAH1	5.0mH	1A	.82	2.10	2.05	4.20	3.93	3.80
562-857-03/38	D	3EAH1	1.8mH	3A	.82	2.10	2.05	5.07	4.75	4.59
562-857-06/39	D	6EAH1	.6mH	6A	.82	2.10	2.05	4.20	3.93	3.80
562-857-10/40	D	10EAH1	.18mH	10A	.82	2.10	2.05	4.32	4.04	3.91

GENERAL PURPOSE IEC CONNECTOR FILTERS

Provide effective EMI suppression on line-to-ground (common mode) and low frequency line-to-line (differential mode) noise while saving space and reducing cost.

Specifications:

- Maximum leakage current each line-to-ground @ 115VAC 60Hz: .2mA @ 250VAC 50Hz: .4mA
- Rated voltage: 115/250VAC
- Hipot rating (one minute) line-to-ground: 2250VDC; line-to-line: 1450VDC
- Operating frequency: 50-60Hz



Use Circuit Diagram AA

For quantities greater than listed, call for quote.

MOUSER STOCK NO.	Fig.	Corcom Number	Inductance	Rated Current @ 250VAC	Dimensions (In.)			Price Each		
					H	L	W	1	25	50
562-857-01/5	D	1EEA1	5mH	1A	.88	2.10	2.06	4.34	4.07	3.93
562-857-01/46	E	1EF2	5mH	1A	.88	1.50	1.58	5.41	5.07	4.91
562-857-03/17	D	3EEA1	1.8mH	3A	.88	2.10	2.06	4.34	4.07	3.93
562-857-03/47	E	3EF2	2.3mH	3A	.88	1.67	1.58	5.41	5.07	4.91
562-857-06/27	D	6EEA1	.6mH	6A	.88	2.10	2.06	4.34	4.07	3.93
562-857-06/48	E	6EF2	.6mH	6A	.88	1.67	1.68	5.41	5.07	4.91
562-857-10/33	D	10EEA1	.18mH	10A	.88	2.10	2.06	5.06	4.75	4.58
562-857-10/49	E	---	.18mH	10A	.88	1.55	1.99	6.83	6.41	6.20

MULTI-FUNCTION MODULE FILTERS

Effectively suppress EMI noise, both line-to-ground (common mode) and line-to-line (differential mode) for general applications. Compact design provides significant savings in space and cost compared with individual components.

Specifications:

- Maximum leakage current each line-to-ground @ 115VAC 60Hz: .25mA @ 250VAC 50Hz: .45mA
- Rated voltage: 115/250VAC
- Hipot rating (one minute) line-to-ground: 2250VDC; line-to-line: 1450VDC
- Operating frequency: 50-60Hz



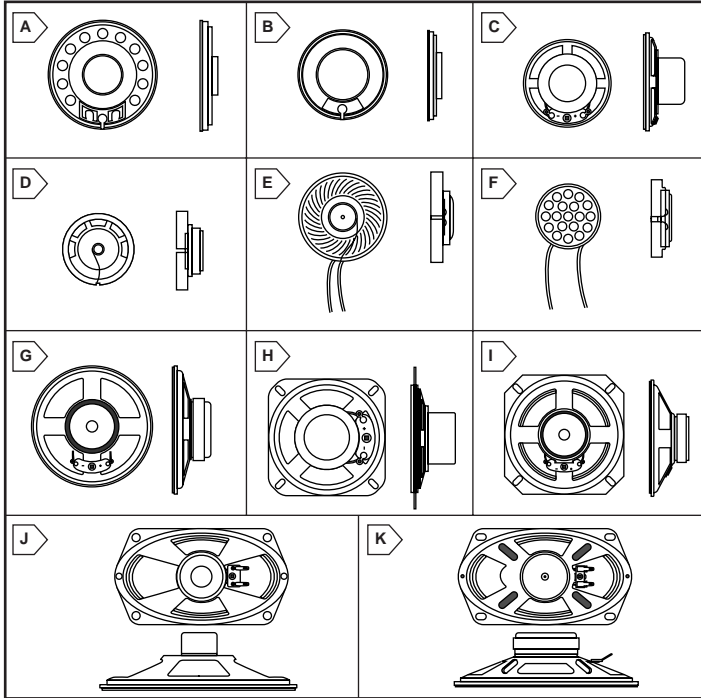
Use Circuit Diagram CC

For quantities greater than listed, call for quote.

MOUSER STOCK NO.	Fig.	Inductance	Rated Current @ 250VAC	Dimensions (In.)			Price Each		
				H	L	W	1	25	50
562-864-03/1	G	8.0mH	3A	2.58	3.51	1.99	24.93	23.37	22.59
562-864-03/3	G	8.0mH	3A	2.58	3.51	1.99	24.93	23.37	22.59
562-864-06/5	G	2.5mH	6A	2.58	3.51	1.99	24.93	23.37	22.59
562-864-06/7	G	2.5mH	6A	2.58	3.51	1.99	24.93	23.37	22.59
562-864-10/9	G	1.6mH	10A	2.58	3.51	1.99	24.93	23.37	22.59
562-864-10/11	G	1.6mH	10A	2.58	3.51	1.99	24.93	23.37	22.59

* Single fuse model
** Double fuse model





- Features:**
- High quality speakers
 - Pre-tinned speaker lugs

MYLAR SPEAKERS

MOUSER STOCK NO.	Fig.	Size (In.)	Depth (In.)	Imp. (Ω)	Peak Power (W)	Frequency Response (Hz)	Magnet Type	Price Each		
								1	10	100
253-5008	A	.8	.13	8	0.1	550-7K	ND	2.75	2.28	2.07
253-5009	A	.9	.21	8	0.1	700-7K	ND	2.85	2.37	2.15
253-5011	B	1.1	.21	8	0.1	550-10K	ND	2.85	2.37	2.15
253-5014	B	1.42	.18	8	0.2	450-6K	ND	3.15	2.62	2.38
253-5015	B	1.57	.26	8	0.1	400-12K	ND	3.19	2.66	2.42
253-3015	C	1.57	.64	8	0.1	800-4.5K	Alnico	2.68	2.37	2.20
253-3020	C	2.0	.73	8	0.2	500-4.5K	Alnico	3.44	2.87	2.61

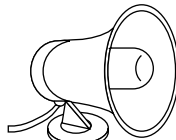
PLASTIC FRAME MYLAR SPEAKERS

MOUSER STOCK NO.	Fig.	Size (In.)	Depth (In.)	Imp. (Ω)	Peak Power (W)	Frequency Response (Hz)	Magnet Type	Price Each		
								1	10	100
25RF006	D	1.06	.35	8	0.2	500-5K	Ferrite	2.85	2.38	2.16
25SP222	E	1.57	.32	32	.04	150-18K	Alnico	5.14	4.28	3.89
25SP224	E	1.57	.39	32	.04	180-18K	Ferrite	3.25	2.71	2.46
25SP223	F	1.06	.27	32	.04	40-18K	Alnico	5.23	4.36	3.96
25SP500	E	1.57	.32	600	.04	20-20K	Alnico	5.14	4.28	3.89

EXTERNAL PAGING SPEAKER

- Weatherized for outdoor use
- Great for automobile sound or public address

MOUSER STOCK NO.	Size (In)	Imp. (Ω)	Frequency Response (Hz)	Watts (RMS)	Price Each	
					1	10
25AE211	5 x 5	8	400-7000	10	14.30	12.36
556-WP12	5 x 8	8	350-13000	15	26.00	23.75

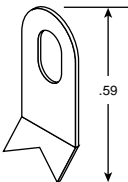


SPEAKER MOUNTING CLIP

For panel mounting of speakers. Slotted mounting hole accepts a #4 screw (not included).

DIMENSIONS (IN.)

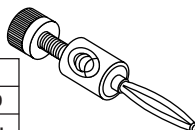
MOUSER STOCK NO.	Price Each			
	1	100	1000	10000
48SC004	.12	.038	.033	Call



DELTRON REAR SPEAKER COUPLING

This 4mm gold plated plug accepts cable up to 7.5mm in diameter and is ideally suited for rear termination of speakers with cabinets up to 20mm thick. The speaker connection can be terminated in two ways, through a 4mm hole in the knurled screw or, through the main hole, in each case, clamping it with the knurled screw.

MOUSER STOCK NO.	Color	Price Each			
		1	10	100	500
174-5761	Black band	4.95	4.49	4.08	Call
174-5765	Red band	4.95	4.49	4.08	Call



ROUND SPEAKERS

MOUSER STOCK NO.	Fig.	Size (In.)	Depth (In.)	Imp. (Ω)	Peak Power (W)	Frequency Response (Hz)	Magnet Type	Price Each			
								1	10	100	
Standard Performance Speakers											
253-2015	C	1.57	.64	8	0.2	700-5K	Alnico	2.35	1.95	1.78	
253-2115	C	1.57	.64	100	0.2	700-5K	Alnico	2.62	2.18	1.98	
253-2020	C	2.0	.73	8	0.2	500-5K	Alnico	2.26	1.89	1.72	
253-2121	C	2.0	.74	100	0.2	500-5K	Alnico	2.45	2.05	1.86	
253-4020	G	2.0	.67	8	0.2	500-5K	Ferrite	1.87	1.57	1.42	
253-2022	C	2.24	.79	8	0.3	400-4.5K	Alnico	2.34	1.95	1.85	
253-2025	C	2.6	.85	8	0.5	330-5K	Alnico	2.44	2.04	1.85	
253-2030	C	3.0	.94	8	0.5	280-5K	Alnico	2.39	1.99	1.72	
Top Quality Communications Speakers											
25SP015	C	1.5	.65	8	0.1	800-5K	Alnico	3.17	2.64	2.40	
25SP007	C	1.5	.65	100	0.15	800-5K	Alnico	3.54	2.95	2.68	
25SP009	C	1.75	.64	8	0.1	800-5K	Alnico	3.15	2.63	2.39	
25SP002	C	2.0	.77	8	0.2	500-5K	Alnico	3.06	2.55	2.32	
25SP008	C	2.0	.73	100	0.2	800-5K	Alnico	3.31	2.77	2.51	
25SP024	C	2.24	.82	8	0.2	500-5K	Alnico	3.16	2.63	2.18	
25SP029	C	2.24	.87	100	0.5	450-4K	Alnico	3.41	2.84	2.52	
25SP025	C	2.6	.82	8	0.3	400-10K	Alnico	3.30	2.75	2.28	
25RF122	G	2.6	.80	8	0.3	450-4K	Ferrite	2.39	1.99	1.81	
25RF123	G	2.75	.83	8	0.5	450-4K	Ferrite	2.90	2.42	2.20	
25SP027	C	2.75	.88	8	0.5	450-4K	Alnico	3.14	2.61	2.38	
25SP005	C	2.75	.88	40	0.5	450-4K	Alnico	3.67	3.06	2.78	
25SP013	C	3.0	.97	8	0.5	250-10K	Alnico	3.70	3.09	2.81	
25SP017	C	3.0	.88	40	0.5	450-4K	Alnico	3.75	3.12	2.84	

SQUARE SPEAKERS

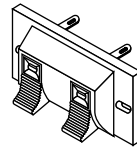
Standard Performance Speakers										
253-2120	H	2.0	.77	8	0.2	450-4.5K	Alnico	2.23	1.86	1.71
253-2032	H	3.0	1.06	40	0.8	220-15K	Alnico	2.34	2.12	1.83
253-2130	H	3.0	1.08	8	0.8	220-15K	Alnico	2.58	2.26	2.01
253-4130	I	3.0	1.02	8	0.8	200-15K	Ferrite	1.91	1.65	1.51
253-2040	H	4.0	1.36	8	1.5	150-12K	Alnico	3.30	2.81	2.56
253-2041	H	4.0	1.50	8	2.0	160-12K	Alnico	4.73	3.95	3.59
Top Quality Communications Speakers										
25SP016	H	1.57	.62	8	0.1	450-5K	Alnico	3.12	2.60	2.37
25SP003	H	2.0	.75	8	0.2	450-5K	Alnico	3.08	2.57	2.33
25SP023	H	2.0	.75	100	0.2	450-5K	Alnico	3.58	2.98	2.52
25SP104	H	2.24	.75	8	0.2	400-4.5K	Alnico	3.33	2.77	2.52
25SP105	H	2.6	.87	8	0.2	350-4.5K	Alnico	3.16	2.63	2.39
25SP030	H	3.0	1.16	8	0.5	250-5K	Alnico	3.49	3.05	2.72
25SF236	I	3.62	1.06	8	1.0	250-5K	Ferrite	3.26	2.71	2.46
25SP035	H	3.5	1.19	8	0.8	250-5K	Alnico	4.11	3.42	3.11
25SP041	H	4.0	1.55	8	1.0	200-10K	Alnico	7.51	6.26	5.64
25SF237	I	4.0	1.30	8	1.0	180-10K	Ferrite	3.77	3.44	3.12

OVAL SPEAKERS

25SP101	J	3x5	1.42	8	1.0	230-10K	Alnico	6.90	5.75	5.23
253-4350	K	3x5	1.42	8	2.0	450-5K	Ferrite	4.82	4.02	3.66
253-4350-15	K	3x5	1.42	15	2.0	450-5K	Ferrite	4.82	4.02	3.66

COMPRESSION TERMINAL BLOCKS

Quick connect terminals. Ideal for speaker systems and other audio or low voltage applications. These terminal blocks firmly grasp stripped wire. Color coded (black and red)

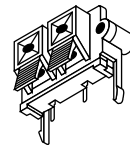


MOUSER STOCK NO.	Position	Price Each			
		1	10	100	500
15CT200	2	.95	.73	.66	Call
151-0400	4	1.46	1.22	1.12	Call

COMPRESSION TERMINAL

Printed circuit terminals. Ideal for speaker systems and other audio or low voltage applications. These terminal blocks firmly grasp stripped wire. Buttons are color coded black and red.

- Features:**
- PCB mount
 - Contacts: tin plated
 - ABS plastic



MOUSER STOCK NO.	Price Each			
	1	10	100	500
151-0300	.64	.49	.45	Call

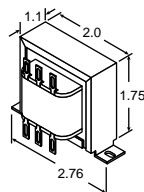
AUDIO LINE MATCHING TRANSFORMERS

DIMENSIONS (IN.)

- Matches 4 or 8 Ω to 70 volt line
- 100Hz to 10KHz response

- Solder lug terminals
- Constant voltage line-to-voice coil

For quantities greater than listed, call for quote.



MOUSER STOCK NO.	Description	Price Each		
		1	10	100
42KB001	.625, 1.25, 2.5, 5, and 10W taps	8.38	7.20	6.55

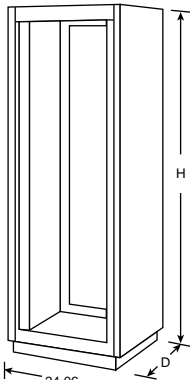


Cases and Cabinets

SERIES 60 UPRIGHT CABINET RACKS AND ACCESSORIES

These cabinet racks are proof of what Bud designers have striven for and achieved: Quality enclosures that enhance the function, appearance and value of your products. All Series 60 Cabinet Racks include welded frame, sides, top, and rear door.

- Welded 14 gauge steel frame
- Accommodates 19" panels
- Two pairs of full adjustable mounting rails are included
- Accessible from front and rear
- One door furnished
- Gray textured (GT) or royal blue textured (RB) available



"Shipped Factory Direct"

DIMENSIONS (IN.)

Series 60 Upright Cabinet Racks

Supplied with plan sides and plain rear door

There are two colors available, replace the () in the part number with: **GT** for Gray Textured or **RB** for Royal Blue Textured

MOUSER STOCK NO.	Dim. (In.)		Panel Space (P)	Price Each
	H	D		
563-60-2300-	29.63	22.0	21.00	754.30
563-60-2301-	40.13	22.0	31.50	822.20
563-60-2302-	50.63	22.0	42.00	930.55
563-60-2303-	61.13	22.0	52.50	1017.25
563-60-2304-	69.88	22.0	61.25	1104.05
563-60-2305-	78.63	22.0	70.00	1177.55
563-60-2306-	87.38	22.0	78.75	1269.55
563-60-2307-	29.63	25.5	21.00	761.20
563-60-2308-	40.13	25.5	31.50	842.85
563-60-2309-	50.63	25.5	42.00	952.30
563-60-2310-	61.13	25.5	52.50	1030.85
563-60-2311-	69.88	25.5	61.25	1131.20
563-60-2312-	78.63	25.5	70.00	1196.60
563-60-2313-	87.38	25.5	78.75	1299.45

Series 60 Upright Cabinet Racks

Supplied with louvered sides and louvered rear door

There are two colors available, replace the () in the part number with: **GT** for Gray Textured or **RB** for Royal Blue Textured

MOUSER STOCK NO.	Dim. (In.)		Panel Space (P)	Price Each
	H	D		
563-60-2700-	29.63	22.0	21.00	795.60
563-60-2701-	40.13	22.0	31.50	863.50
563-60-2702-	50.63	22.0	42.00	971.90
563-60-2703-	61.13	22.0	52.50	1058.55
563-60-2704-	69.88	22.0	61.25	1145.35
563-60-2705-	78.63	22.0	70.00	1218.80
563-60-2706-	87.38	22.0	78.75	1310.95
563-60-2707-	29.63	25.5	21.00	825.40
563-60-2708-	40.13	25.5	31.50	884.10
563-60-2709-	50.63	25.5	42.00	993.50
563-60-2710-	61.13	25.5	52.50	1072.20
563-60-2711-	69.88	25.5	61.25	1172.60
563-60-2712-	78.63	25.5	70.00	1237.75
563-60-2713-	87.38	25.5	78.75	1340.75

Plain Front Door Width: 18.94"

There are two colors available, replace the () in the part number with: **GT** for Gray Textured or **RB** for Royal Blue Textured

MOUSER STOCK NO.	Height (In.)	* (In.)	Price Each
563-60-2340-	21.44	21.00	134.30
563-60-2341-	31.94	31.50	149.20
563-60-2342-	42.44	42.00	157.05
563-60-2343-	52.94	52.50	174.70
563-60-2344-	61.69	61.25	214.30
563-60-2345-	70.44	70.50	223.30
563-60-2346-	79.19	78.75	226.90

* To be used with Upright Rack with this Panel Space (P) dimension.

Series 30 Extra Deep Upright Cabinet Racks

Supplied with plan sides and plain rear door

There are two colors available, replace the () in the part number with: **GT** for Gray Textured or **RB** for Royal Blue Textured

MOUSER STOCK NO.	Dim. (In.)		Panel Space (P)	Price Each
	H	D		
563-30-2300-	29.63	30.75	21.00	840.85
563-30-2301-	40.13	30.75	31.50	920.00
563-30-2302-	50.38	30.75	42.00	1032.55
563-30-2303-	61.13	30.75	52.50	1133.85
563-30-2304-	69.88	30.75	61.25	1213.05
563-30-2305-	78.63	30.75	70.00	1306.20
563-30-2306-	87.38	30.75	75.75	1396.90

Louvered Front Door Width: 18.94"

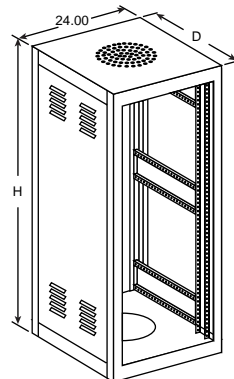
There are two colors available, replace the () in the part number with: **GT** for Gray Textured or **RB** for Royal Blue Textured

MOUSER STOCK NO.	Height (In.)	* (In.)	Price Each
563-60-2540-	21.44	21.00	143.65
563-60-2541-	31.94	31.50	158.50
563-60-2542-	42.44	42.00	166.60
563-60-2543-	52.94	52.50	184.10
563-60-2544-	61.69	61.25	223.65
563-60-2545-	70.44	70.50	233.30
563-60-2546-	79.19	78.75	236.40

ECONOMIZER™ CABINET RACKS AND ACCESSORIES

High quality, low cost. Available with 19" panel width in both ventilated and non-ventilated versions.

- Welded frame: 14-gauge steel vertical rails, 16-gauge steel top and bottom. Uniquely designed, 16-gauge steel rail supports.
- Furnished complete with removable sides, rear door, and one pair of panel mounting rails.
- Panel mounting rails: 12-gauge steel. Fully adjustable.
- Side panel: 20-gauge steel. Removable from outside for easy access.
- Finishes: sand textured (S), royal blue textured (RB), and black textured (BT)



"Shipped Factory Direct"

DIMENSIONS (IN.)

Non-Ventilated Cabinet Racks

There are three colors available, replace the () in the part number with: **S** for Sand Textured, **RB** for Royal Blue, or **BT** for Black Textured

MOUSER STOCK NO.	Dimensions (In.)		Panel Space (P)	Price Each
	H	D		
563-ER-16502-	47.31	18.50	42.00	545.05
563-ER-16503-	57.81	18.50	52.50	599.50
563-ER-16504-	66.56	18.50	61.25	643.60
563-ER-16505-	75.31	18.50	70.00	681.85
563-ER-16506-	84.06	18.50	78.75	711.05
563-ER-16512-	47.31	25.50	42.00	617.05
563-ER-16513-	57.81	25.50	52.50	644.00
563-ER-16514-	66.56	25.50	61.25	704.45
563-ER-16515-	75.31	25.50	70.00	735.55
563-ER-16516-	84.06	25.50	78.75	775.50
563-ER-16522-	47.31	30.75	42.00	644.20
563-ER-16523-	57.81	30.75	52.50	674.05
563-ER-16524-	66.56	30.75	61.25	752.40
563-ER-16525-	75.31	30.75	70.00	771.30
563-ER-16526-	84.06	30.75	78.75	840.50

Ventilated Cabinet Racks

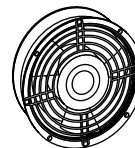
Cabinet side and doors feature ventilating louvers.

There are three colors available, replace the () in the part number with: **S** for Sand Textured, **RB** for Royal Blue, or **BT** for Black Textured

MOUSER STOCK NO.	Dimensions (In.)		Panel Space (P)	Price Each
	H	D		
563-ER-16602-	47.31	18.50	42.00	615.95
563-ER-16603-	57.81	18.50	52.50	634.70
563-ER-16604-	66.56	18.50	61.25	683.20
563-ER-16605-	75.31	18.50	70.00	720.70
563-ER-16606-	84.06	18.50	78.75	745.95
563-ER-16612-	47.31	25.50	42.00	657.20
563-ER-16613-	57.81	25.50	52.50	683.60
563-ER-16614-	66.56	25.50	61.25	742.95
563-ER-16615-	75.31	25.50	70.00	773.45
563-ER-16616-	84.06	25.50	78.75	815.60
563-ER-16622-	47.31	30.75	42.00	696.10
563-ER-16623-	57.81	30.75	52.50	725.95
563-ER-16624-	66.56	30.75	61.25	804.30
563-ER-16625-	75.31	30.75	70.00	823.20
563-ER-16626-	84.06	30.75	78.75	894.70

10" EXHAUST FAN

Fan mounts in the top of ventilated Economizer racks. Supplied with finger guard and all mounting hardware. 36" power cord supplied. UL/CSA rated with 535 CFM air flow.



MOUSER STOCK NO.	Price Each
563-FN-1282	119.20

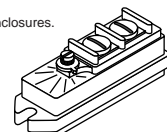
TEM-STAT TEMPERATURE CONTROLS

Prevent shut-downs caused by over-heating of electronic or electrical equipment in enclosures. Units react quickly to gradual or sudden temperature changes. UL and CSA listed.

Temperature range: 80°F - 170°F, accuracy: ±8°F

Cycles	Full Load Amps	Locked Rotor Amps	Pilot Duty VA	Volts
6,000	5.0	35.0	---	12VDC
30,000	6.0	36.0	---	120VAC
30,000	3.0	18.0	---	240VAC
100,000	4.0	24.0	125	120VAC
100,000	2.0	12.0	125	240VAC

MOUSER STOCK NO.	Contacts Normally	Contacts On Temp. Rise	Price Each
563-TS-15	Open	Closed	23.70
563-TS-22	Closed	Open	23.70



ALL AMERICAN UPRIGHT CABINET RACKS AND ACCESSORIES

A unique combination of steel and aluminum components provides an optimum blend of strength and economy. The sides, doors and top can be removed from the outside in seconds for unequalled accessibility. Available in five panel heights and your choice of two depths, the All American Rack™ has been quality engineered to meet your stringent standards.

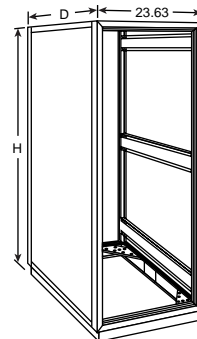
All American Upright Cabinet Racks

Rear door provided. Optional doors can be used for front or rear.

MOUSER STOCK NO.	Dimensions (In.)		Panel Space (P)	Price Each
	H	D		
563-AA-16412	48.81	26.50	42.00	1067.60
563-AA-16413	59.31	26.50	52.50	1118.45
563-AA-16414	68.06	26.50	61.25	1208.10
563-AA-16415	76.81	26.50	70.00	1251.75
563-AA-16416	85.56	26.50	78.75	1360.65
563-AA-16422	48.81	31.75	42.00	1115.35
563-AA-16423	59.31	31.75	52.50	1203.90
563-AA-16424	68.06	31.75	61.25	1272.65
563-AA-16425	76.81	31.75	70.00	1341.40
563-AA-16426	85.56	31.75	78.75	1423.45

Features:

- Frame: heavy-duty aluminum alloy extrusions, aluminum corner brackets. Steel supports
- Removable sides, 18 gauge steel
- Removable top and door, 20 gauge steel
- Mounting rails: two pairs of fully adjustable panel mounting rails
- Finish: white textured frame sand textured sides, door, and top



DIMENSIONS (IN.)

"Shipped Factory Direct"

Steel Doors

MOUSER STOCK NO.	Fits	Price Each
563-AA-16702	563-AA-16412, 563-AA-16422	154.10
563-AA-16703	563-AA-16413, 563-AA-16423	164.05
563-AA-16704	563-AA-16414, 563-AA-16424	172.15
563-AA-16705	563-AA-16415, 563-AA-16425	178.75
563-AA-16706	563-AA-16416, 563-AA-16426	188.60

Plexiglass Doors

MOUSER STOCK NO.	Fits	Price Each
563-AA-16722	563-AA-16412, 563-AA-16422	316.40
563-AA-16723	563-AA-16413, 563-AA-16423	340.70
563-AA-16724	563-AA-16414, 563-AA-16424	359.70
563-AA-16725	563-AA-16415, 563-AA-16425	370.55
563-AA-16726	563-AA-16416, 563-AA-16426	397.65